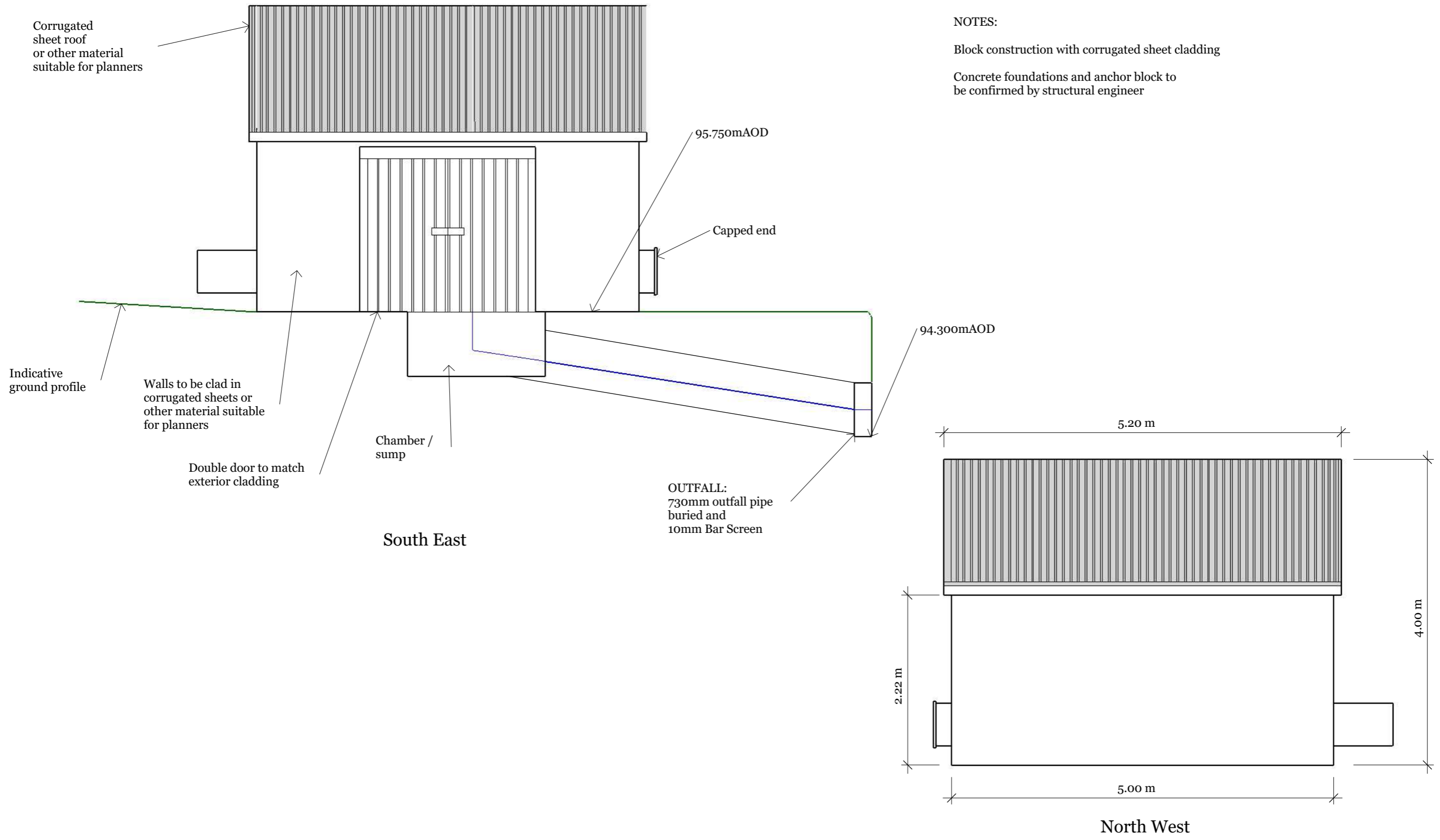


Powerhouse General Arrangement and Dimensions



CLIENT
Dolhendre Hydro Ltd

PROJECT
Powerhouse Celynog Isaf

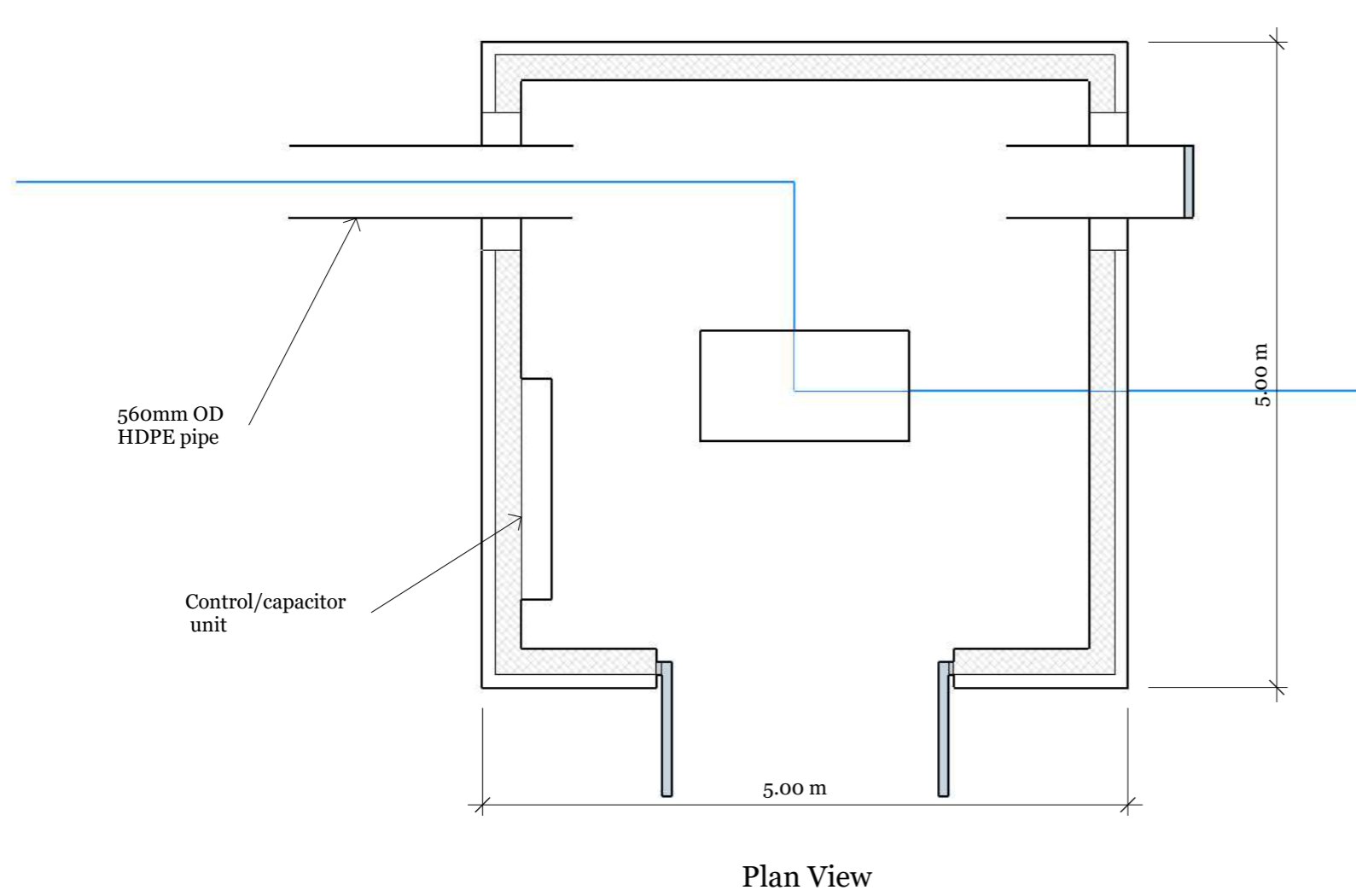
PROJECT NO.
Powerhouse GA and Dimesions V1.5

NOT FOR CONSTRUCTION

ISSUE
24.08.2018

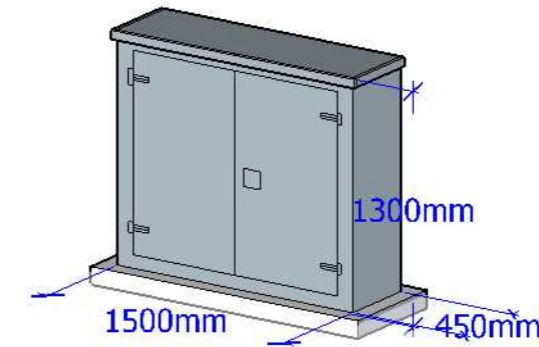
DESCRIPTION
GA/Dimensions/Elevations

Powerhouse GA and Dimensions Celynog Isaf



NOTES:
 GRP Dark Green
 To be located 10 -15m from new H pole and transformer

Meter Cubicle



Drawing no:
 Powerhouse GA and
 Dimensions Celynog Isaf V1.5

NOT FOR CONSTRUCTION

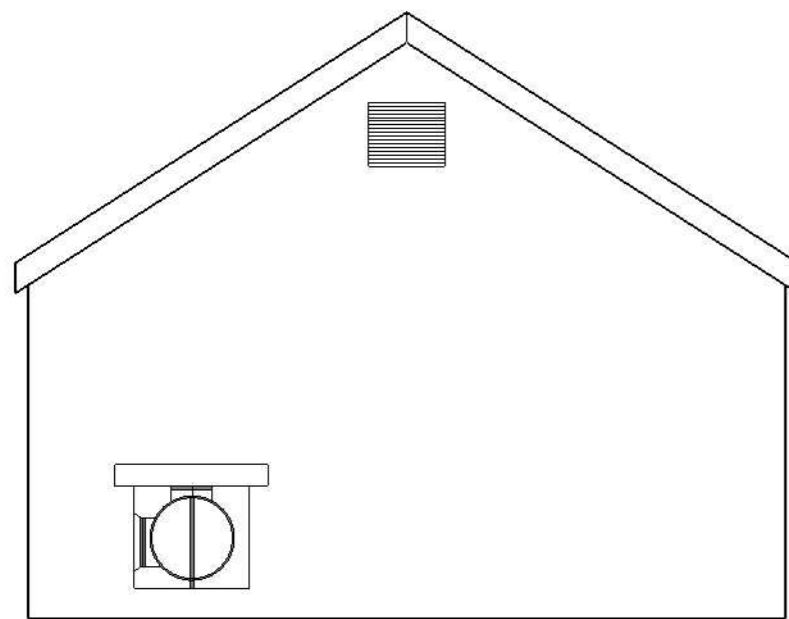
Scale 1 : 50 @A3

PROJECT
 Celynog Isaf

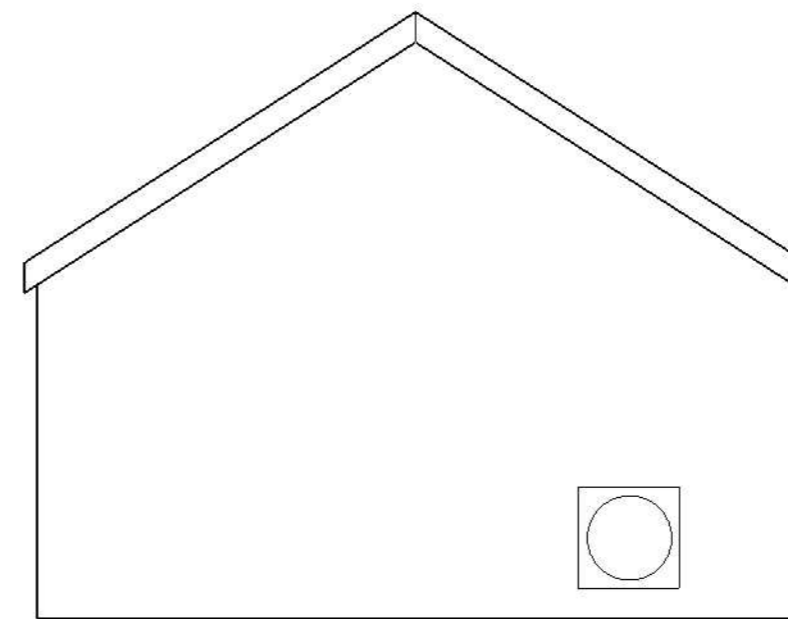
ISSUE
 24/08/2018

RE-ISSUE

DESCRIPTION
 GA/Dimensions/Elevations



South West



North East