

1

2

3

4

5

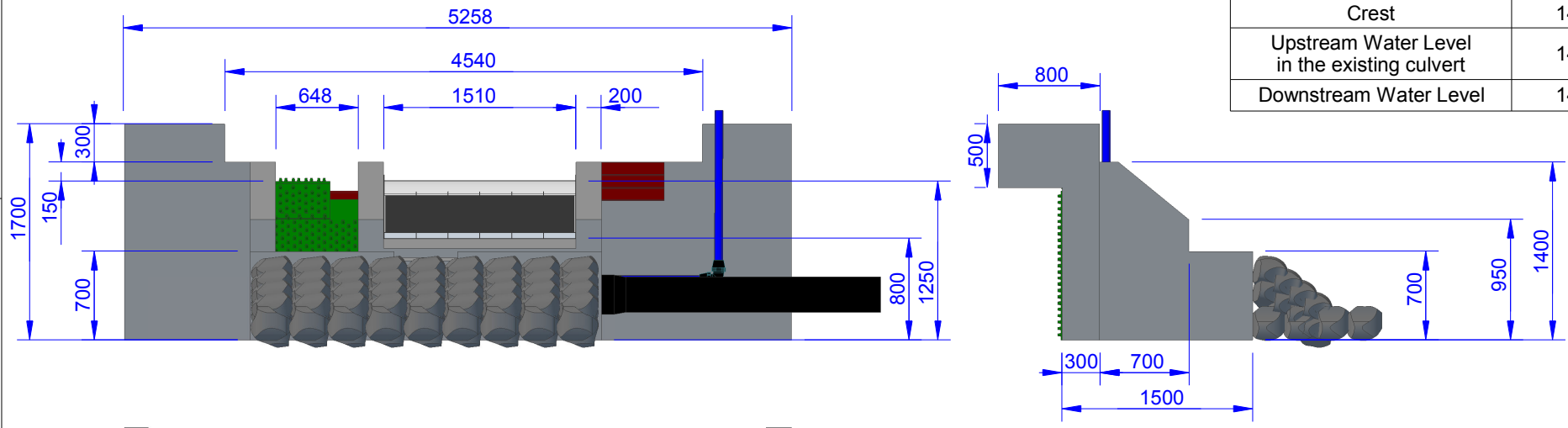
6

Mark Sealy Intake 2 Overall Dimensions

Point	Level
Top Peg B2	148,939
Crest	148,387
Upstream Water Level in the existing culvert	149,169
Downstream Water Level	147,734

A

A

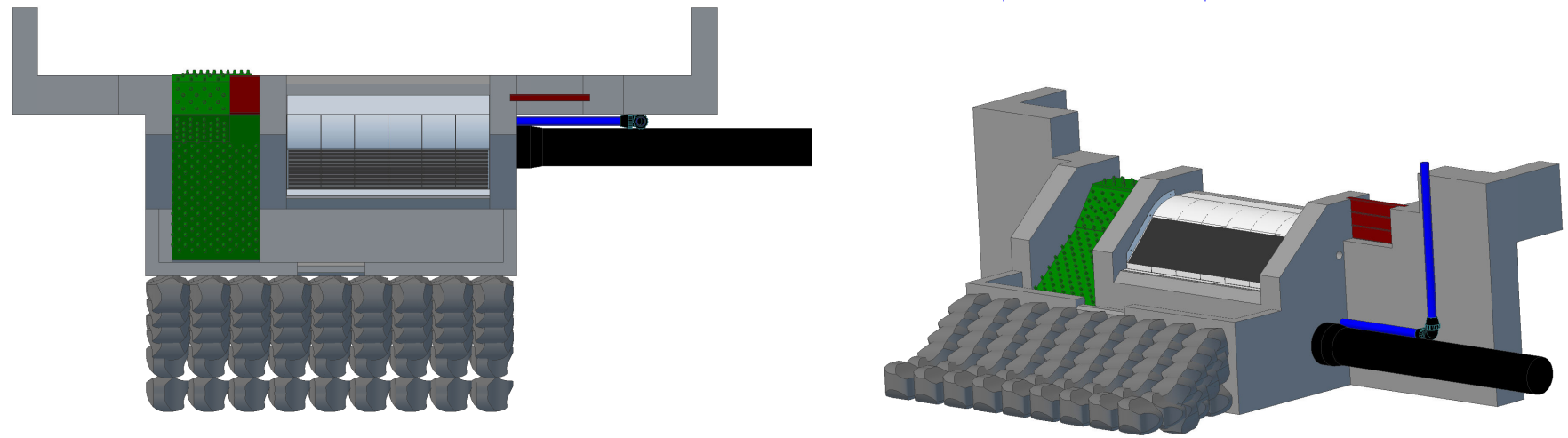


B

B

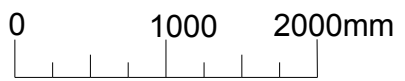
C

C



D

D



All levels relative to Newlyn. All dimensions in mm.

Client : Mark Sealy
 Address : SY20 9DT
 Drawn By : MJP

Date : 20/09/18
 Scale : 1 : 50 @ A4
 Drawing No : 18092004
 Version : 1

Revision Details



Greenearth Hydro Limited
 PO Box 68, Aberdovey, LL36 6AJ
 Tel: 07980 670046 www.greenearthhydro.co.uk
 Company Registration Number 7417466
 MCS Hydro Transition Installer 123

1

2

3

6