

1

2

3

4

5

6

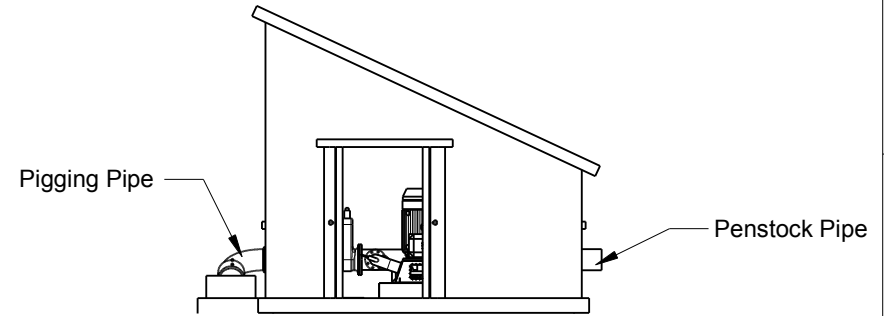
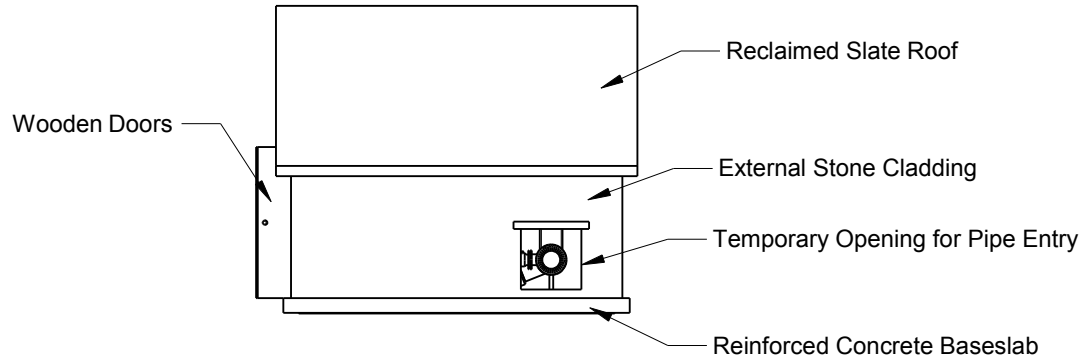
# Nant Y Betws Powerhouse Elevations

## South East Elevation

## South West Elevation

A

A



B

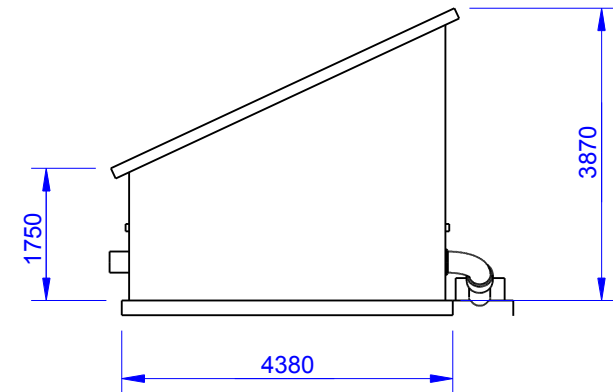
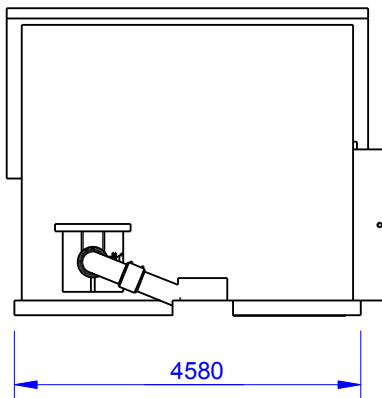
B

## North West Elevation

## North East Elevation

C

C



D

D



Dimensions in mm. For planning only : Structural detail not given.

Client : **Antur Waunfawr**  
 Address : Bryn Pistyll, Waunfawr  
 Caernarfon, Gwynedd, LL55 4BJ  
 Drawn By : MJP

Date : 07/06/17  
 Scale : 1 : 100 @ A4  
 Drawing No : 170607MP05  
 Version : 1

Revision Details



Greenearth Hydro Limited  
 Bronafon, Bridge Street, Llanfyllin, Powys, SY22 5AU  
 Tel: 01691 648 378 [www.greenearthhydro.co.uk](http://www.greenearthhydro.co.uk)  
 Company Registration Number 7417466  
 MCS Hydro Transition Installer 123

1

2

3

6