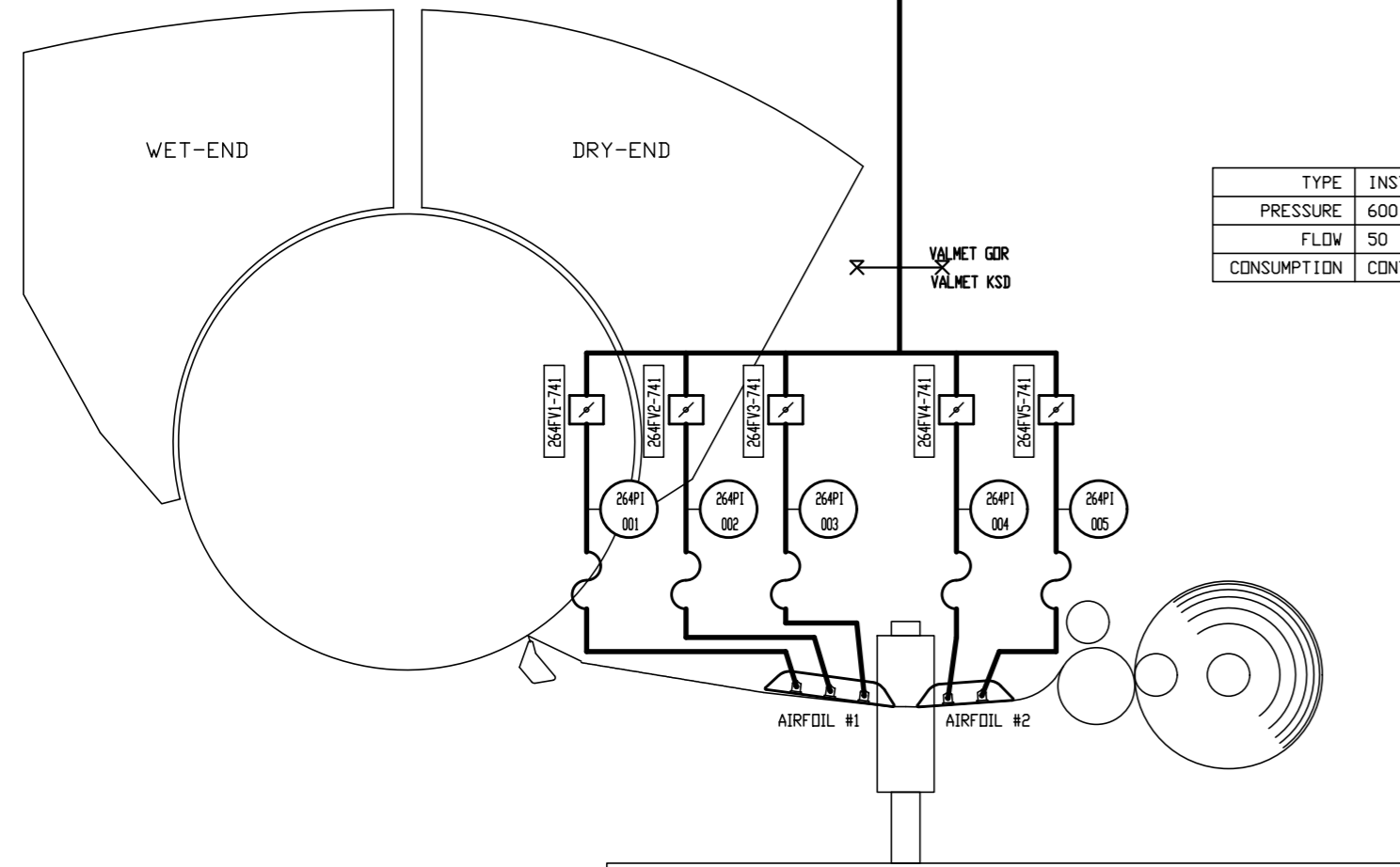
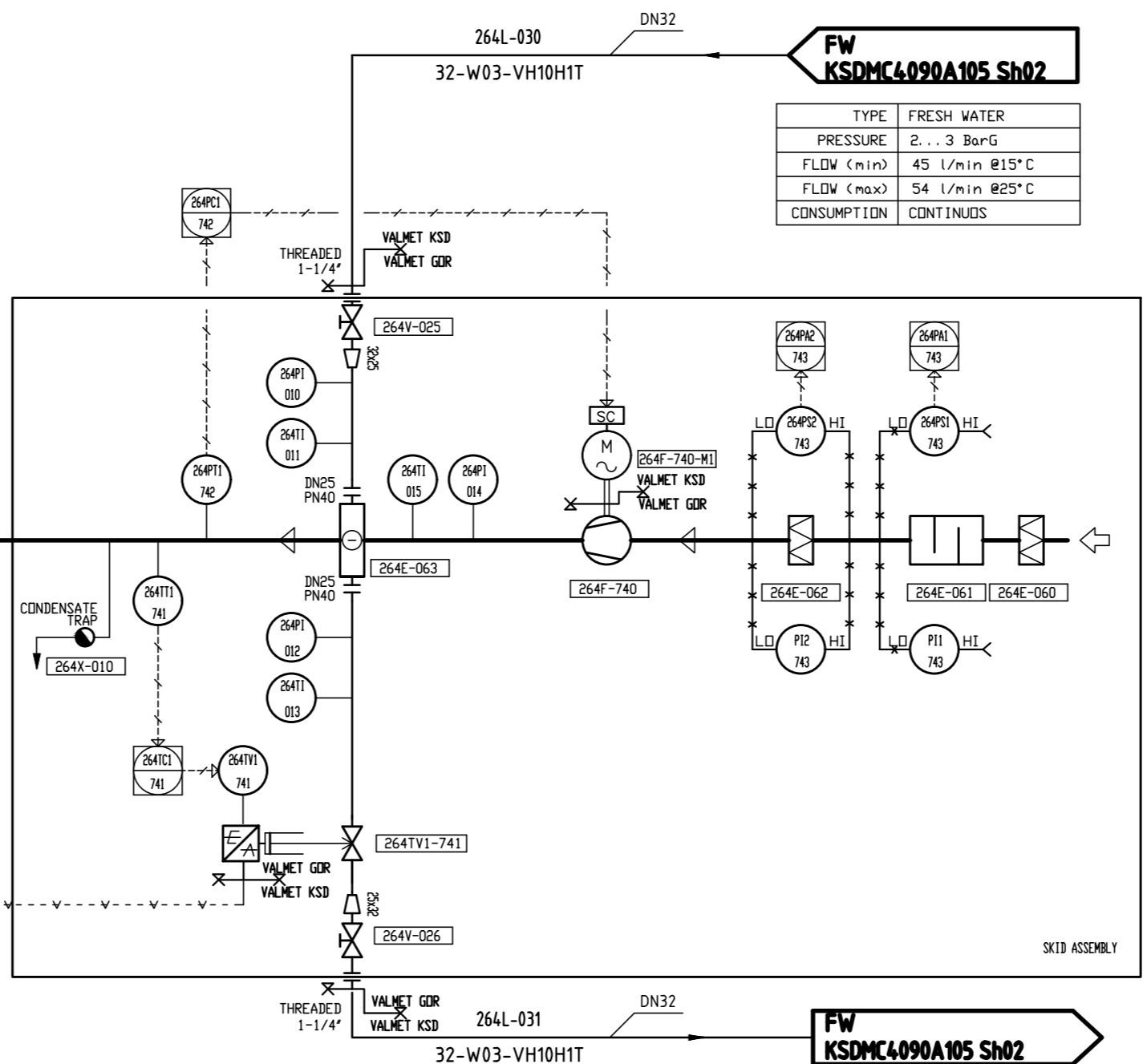


THE INFORMATION CONTAINED HEREIN IS PROPRIETARY TO VALMET SPA AND IS NOT TO BE REPRODUCED OR USED WITHOUT THE EXPRESS WRITTEN PERMISSION OF VALMET SPA



TYPE	INSTRUM. AIR
PRESSURE	600 kPa
FLOW	50 l/min
CONSUMPTION	CONTINUOUS



TYPE	FRESH WATER
PRESSURE	2...3 BarG
FLOW (min)	45 l/min @15°C
FLOW (max)	54 l/min @25°C
CONSUMPTION	CONTINUOUS

TYPE	RETURN WATER
PRESSURE	2...3 BarG
FLOW (min)	45 l/min @25°C
FLOW (max)	54 l/min @35°C
CONSUMPTION	CONTINUOUS

SYMBOLS LEGEND

- BY VALMET FIELD LOCAL INSTRUMENT
STRUMENTO LOCALE IN CAMPO
- BY OTHERS STRUMENTO LOCALE IN CAMPO
- BY VALMET LOCAL INSTRUMENT IN LOCAL PANEL
STRUMENTO LOCALE IN QUADRO LOCALE
- BY OTHERS STRUMENTO LOCALE IN QUADRO LOCALE
- CONNECTION FROM/TO CUSTOMER DCS
CONNESSIONI DA/A DCS CLIENTE
- NORMALLY CLOSE SOLENOID VALVE
E. VALVOLA NORMALMENTE CHIUSA
- NORMALLY OPEN SOLENOID VALVE
E. VALVOLA NORMALMENTE APERTA
- NORMALLY OPEN MANUAL BALL VALVE
VALVOLA MANUALE NORMALMENTE APERTA
- NORMALLY CLOSED MANUAL BALL VALVE
VALVOLA MANUALE NORMALMENTE CHIUSA
- SAFETY VALVE
VALVOLA DI SICUREZZA
- AC MOTOR CENTRIFUGAL FAN
VENT. CENTRIFUGO MOTORE AC
- INVERTER/CONVERTER
- AIR FILTER
FILTRO ARIA
- FLEXIBLE JOINT
GIUNTO FLESSIBILE
- SILENCER
SILENZIATORE
- VALMET GOR DELIVERY LIMITS
OTHERS LIMITI DI FORNITURA
- BY VALMET GOR PNEUMATIC LINE
BY OTHERS LINEA ARIA COMPRESSA
- DCS LOOP LINE
LINEA REGOLAZIONI A DCS
- BY VALMET GOR PIPELINE, EQUIPMENT OR INSTRUMENT
BY OTHERS TUBAZIONI, EQUIPAGGIAMENTI O STRUMENTI
- BY VALMET GOR BACKLOAD PIPELINE
BY OTHERS LINEA DI CONTROPRESSIONE

Valmet

CERTIFIED

Signature M Ce
Date 09.04.2025

16.05.25	M Ce	WTu	CERTIFIED FOR DESIGN	02
09.04.25	M Ce	WTu	CERTIFIED FOR INFORMATION	01
Date	Name	Verificato	Descrizione	Mod/rev
Date	Name	Checked by	Revision	Chs/Key

THE INFORMATION CONTAINED HEREIN IS PROPRIETARY TO VALMET S.P.A. AND IS NOT TO BE REPRODUCED, COMMUNICATED TO A THIRD PERSON, OR USED IN ANY MANNER WHATSOEVER WITHOUT THE EXPRESS WRITTEN PERMISSION OF VALMET S.P.A. OR A DULY AUTHORIZED REPRESENTATIVE THEREOF		EN	
Valmet	PROJECTION ISO	SCALE	WEIGHT Kg
PRODUCT	DESIGNER	DATE	
	M Ce	12.03.25	
	CHKD	DATE	
	WTu	12.03.25	
	APPD	DATE	
	P DN	12.03.25	
REF.	SUPERS.	A3+	DRAWING ID
WORK	FILE	AutoCAD	SHEET
	GORB20234.02		GORB20234.02 1/1

SWE VESTA
UK
C5005ATS1