

Rev No	REVISION NOTE	DATE	DRAWN	CHECKED	APPROVED
05	Cert. general update	08/27/2025	NOM	JNS	NOM
04	Cert. cone dim change	07/10/2025	NOM	JNS	NOM
03	Certified general revision	06/11/2025	NOM	JNS	NOM
02	Certified general revision	05/16/2025	NOM	JNS	MSA

FLOW SUBSTANCES	
MEDIA	NAME
P95	PULP BLEACHED DRIED DISSOLVED SULPHATE SOFTWOOD
P96	PULP BLEACHED DRIED DISSOLVED SULPHATE HARDWOOD
P91	PULP BROKE, MIX OF P95 & P96
P95	PULP, MACHINE FURNISH, BLEACHED
B85	WHITE WATER, PAPER MACHINE
B86	WHITE WATER, CLEAR FILTRATE
B88	WHITE WATER, SUPERFILTRATE
W03	WATER, MECHANICALLY TREATED
G70	AIR, VACUUM SYSTEM
G75	COMPRESSED AIR, MILL
G76	COMPRESSED AIR, INSTRUMENT
D10	EFFLUENT FLOOR, DRAINAGE
S01	STEAM, LIVE, <0.5 MPa
S02	STEAM, LIVE, 0.5-1.3 MPa
C10	CONDENSATE, LIVE STEAM
A101	WET STRENGTH
A102	SOFTENER
A103	ANTI BACTERIAL
A104	DEFOMER
A105	WIRE/FELT PASSIVATION
A106	FLOCCULANT
A107	MOFFER
A108	ADHESIVE
A109	RELEASE
A110	BIODE

MAX FLOW kg/min / cons. % / LPM
 NOM FLOW (kg/min / cons. % / LPM)
 24 / 4 / 600
 (20 / 4 / 505)

CONNECTED TO DES SYSTEM
 CONNECTED TO PLC SYSTEM
 LOCAL

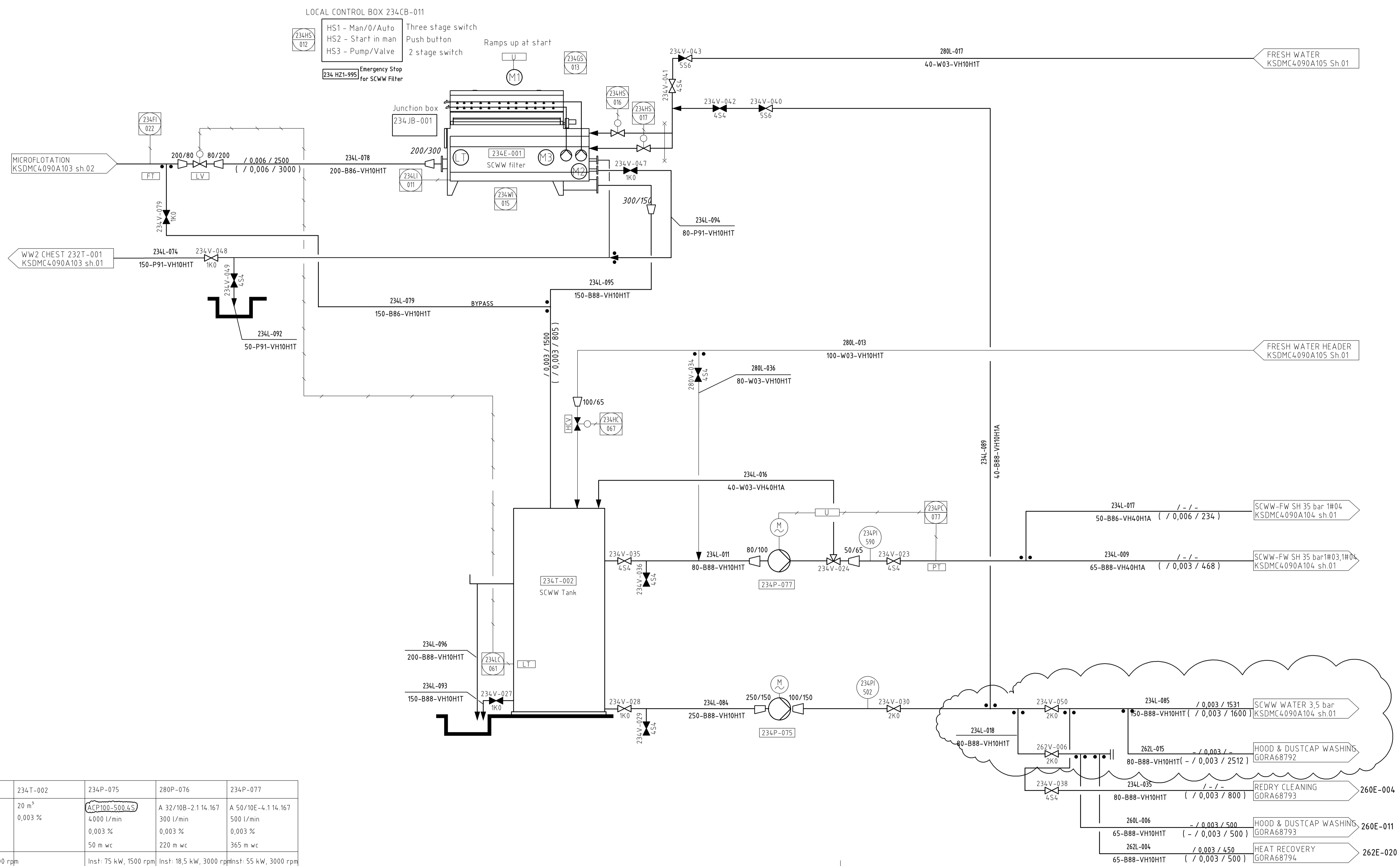
Pipe number
 Dim. - Media code - Pipe specification

TM PRODUCTION 209 BDT/D
PRODUCTION SPLIT (MAX/LINE):
SOFTWOOD 105 BDT/D
HARDWOOD 209 BDT/D
BROKE 40 BDT/D
RECYCLED BDT/D

DESIGN PRODUCTION 225,8 BDT/D "PROD." 17,5 G/M ²
HARDWOOD 65 % 14,7 BDT/D
SOFTWOOD 30 % 6,8 BDT/D
BROKE 5 % 1,1 BDT/D

Valmet
 Certified
 Signature NOM
 Date 04/17/2025

Valmet CUSTOMER NAME CONFIDENTIAL LOCATION OF MILL UK LANGUAGES EN / -	CUSTOMER'S DRWG. NAME/FILE CUSTOMER'S POS. NAME SCALE DRAWN ELN CHECKED JNS APPROVED NOM DOCUMENT ID KSDMC4090A103	SYSTEM AutoCAD DATE 12/17/2024 DATE 08/27/2025 DATE 08/27/2025 SHEET 4 / 5 REVISION 05
---	--	---



234E-001	234T-002	234P-075	280P-076	234P-077
INEKO - 6FBO 3000 l/min 0,003 %	20 m ³ 0,003 % ACP100-500.4.S	4000 l/min 0,003 % 50 m wc	A 32/10B-2.1 14.167 300 l/min 0,003 % 220 m wc	A 50/10E-4.1 14.167 500 l/min 0,003 % 365 m wc
Inst: 0,75 kW, 1500 rpm		Inst: 75 kW, 1500 rpm	Inst: 18,5 kW, 3000 rpm	Inst: 55 kW, 3000 rpm

INFORMATION CONTAINED HEREIN IS UNCLASSIFIED CONFIDENTIAL INFORMATION. IT IS THE PROPERTY OF VALMET TECHNOLOGIES, INC. AND IS NOT TO BE REPRODUCED, COPIED, OR DISCLOSED TO ANY THIRD PARTY WITHOUT THE PRIOR WRITTEN CONSENT OF VALMET TECHNOLOGIES, INC. OR ITS SUBSIDIARY COMPANY.