

1

2

3

4

5

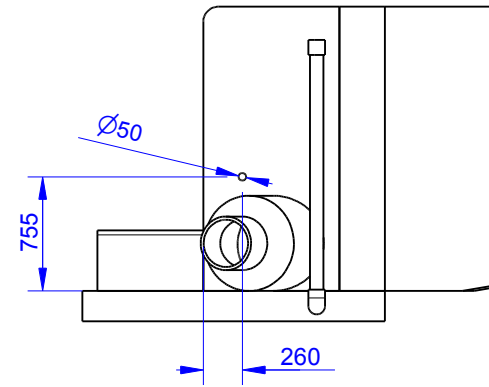
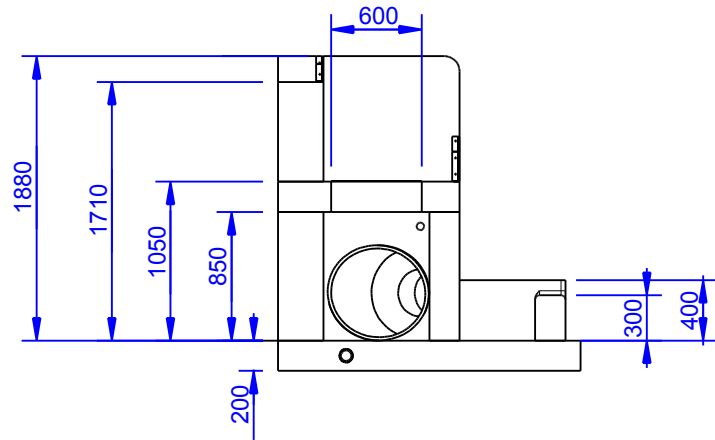
6

Wyn Jones Afon Gennog Weir Section View C-C and Right End Elevation

(Mortared Rock Construction not shown)

Section C-C

Right End Elevation



Frame of Pigging Plate to be used when shuttering to ensure good fit

Frame of Plate to be used when shuttering to ensure good fit

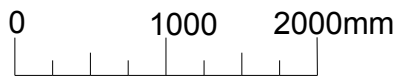
Frame of double manhole 900 x 600 to fit here

Reducer cut off flush with inner face of chamber

Outlet Notch from Fishpool

Breather Hole

Riser Pipe for Head Sensor



All dimensions in mm. All levels relative to Newlyn

Client : Wyn Jones

Address : Bryniog-Isa, Melin Y Coed
Llanwrst, LL26 0TR

Drawn By : MJP

Date : 17/08/13

Scale : 1 : 50

Drawing No : 130817MP08

Version : 3

Revision Details

v2 : Note added on mortared rock construction not shown
v3 : Take fixed at 50%



Greenearth Hydro Limited

Bronafon, Bridge Street, Llanfyllin, Powys, SY22 5AU

Tel: 01691 648 378 www.greenearthhydro.co.uk

Company Registration Number 7417466

MCS Hydro Transition Installer 123

1

2

3

6