

MCERTS - EDM Inspection Report

Llanerch-Y-Môr Fun Ship CSO

06 August 2025

Report No. CFS/ 18813



Version No. 00.1

Site Name:	Llanerch-Y-Môr Fun Ship CSO	
Consent/Permit Holder:	Dŵr Cymru Welsh Water	
Site Address:	Off A548 Llanerch-y-Môr Flintshire CH8 9DX	
Site Contact:	Statutory & Regulatory Maintenance Manager	
Contact Phone Number:	mcerts@dwrwymru.com	
Site Ref or Postcode:	73223 / 01162	
Grid Ref (Sensor):	SJ 17681 79172	
Consent/Permit No:	CM0198601	
Location of EDM Sensor:	Waste water overflow to environment	
Number of EDMs:	1	
Instrument Type:	Type A (non contact) - R	
Instrument/Device(s):	Vega Vegamet 861 with C 22	
Level Meter Serial Number:	73062484	
Sensor Serial Number:	73229702	
Date of Inspection:	06/08/2025	
Inspector:	Phil Rose - MI 10 018	
Inspection Report No:	CFS/ 18813	
Survey Pack:	D	* Kit Inventory and calibration data recorded on central QMS database
Uncertainty:	± 2.8 mm	P A S S
Site Compliance:	Following a site inspection, the measurement system was found to meet the requirements of the Environment Agency <i>MCERTS: requirements for installing and using event duration monitors - MCERTS Performance Standard</i> . Published 28th August 2024	

Site Details

Site Description

Llanerch-Y-Môr Fun Ship CSO is a CSO with storm discharge consent.

Location of Event Monitor(s)

The EDM is located above the CSO storm overflow weir

Overflow Point(s) Requiring Event Monitoring

Waste water overflow to environment (See Process Diagram.)

Verification / Calibration

The sensor was mounted on a rigid bracket with a removable datum plate to reference the sensor height relative to the hydraulic datum. The reference height of the datum plate has been set accurately and recorded.

Site Maintenance Arrangements, Evidence and Suitability

A routine maintenance schedule has not been confirmed but is required as part of the consent holders Quality Management System, as audited by CSA.
The level measurement system was found to be in a satisfactory condition at the time of the Inspection.

MCERTS Approved Product

The installed meter has a valid MCERTS Approved product certificate. Certificate number: CSA MC210360/01

System Observed in Operation

The EDM was not observed in a storm condition during the inspection. However, there is no evidence to suggest that the system would not be suitable, during a storm event.

Indicated Discharge Status

The indicated discharge status can be observed on site by:

A secondary display/indicator.

Telemetry Arrangements

The Event Monitor data is collected on the SCADA system.
The data is transmitted using an analogue 4/20mA signal

Inspector's Judgements or Comments About the Installation



Event Duration Monitor Calibration			
M CERTS	Datum Depth	1034 @ RED	
Relay	On at	614 mm	Off at 609 mm
Spill Height	613 mm	Date	06/08/25
www.criticalflow.co.uk 01242820199			



Device name
VEGAPULS C 22
Serial number
73229702

57.11 %
Percent

57.11 %
Lin. percent
1034 mm
Filling height



By tapping onto a measured value, you can change the measured value type.



Device name
VEGAMET 862
Serial number
73062484

Meas. loop 1
TAG-No. 1

1034 mm
Scaled



By tapping onto a measured value, you can change the measured value type.

Level Meter

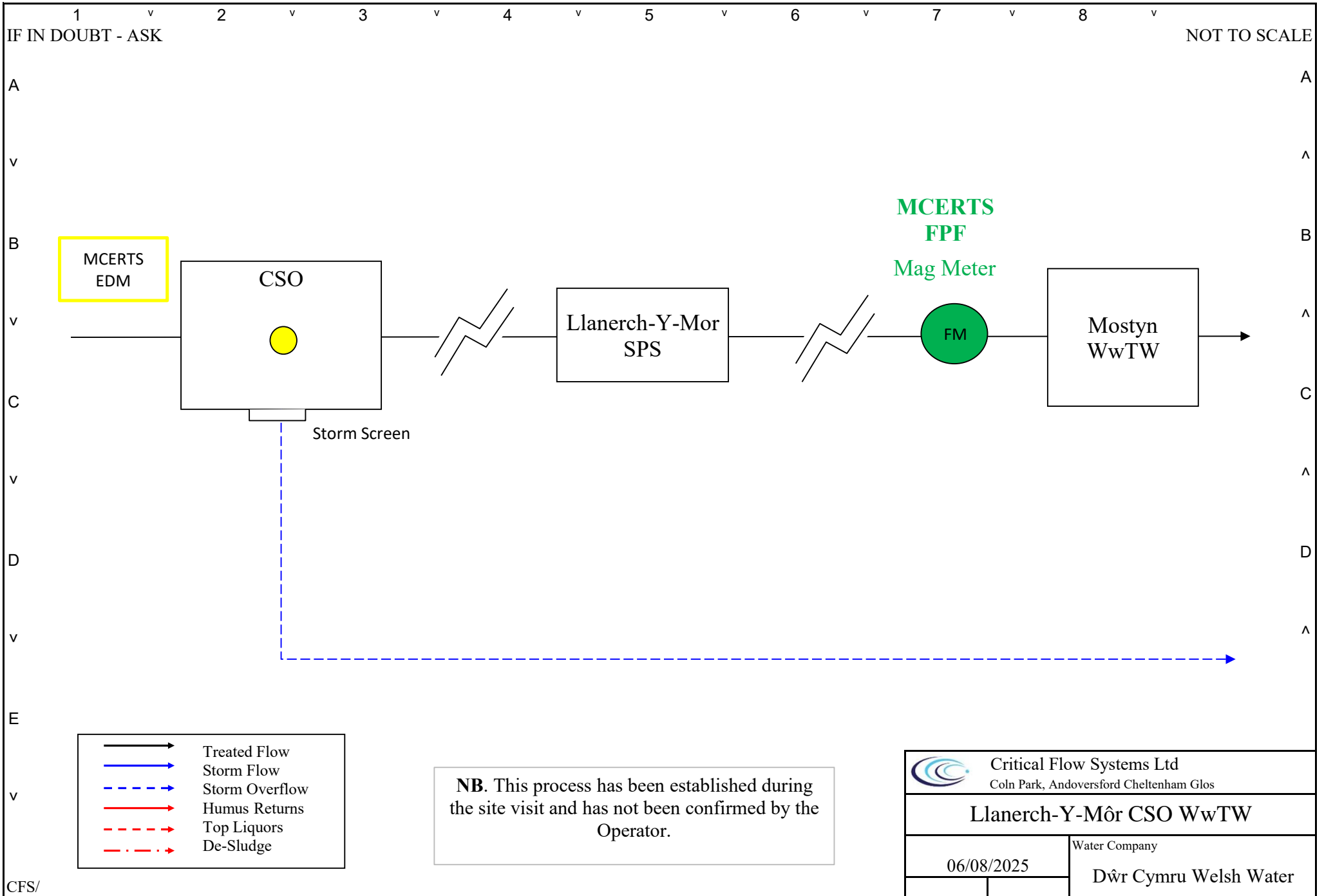
Level Meter & Sensor Serial Number



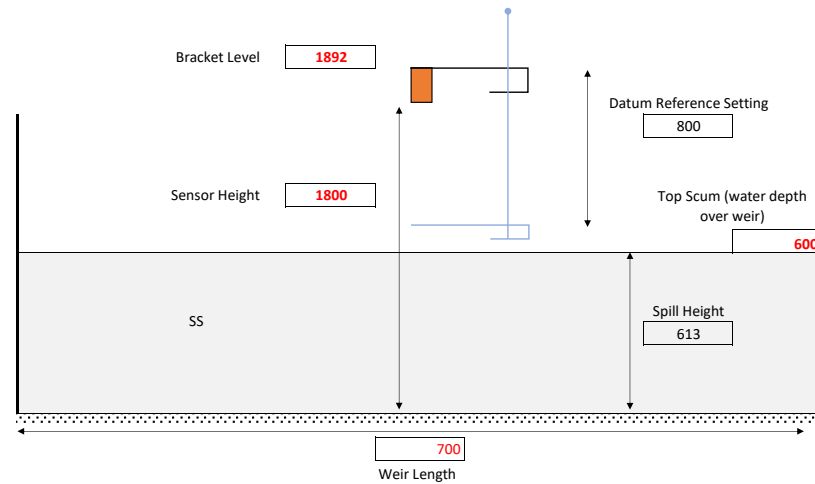
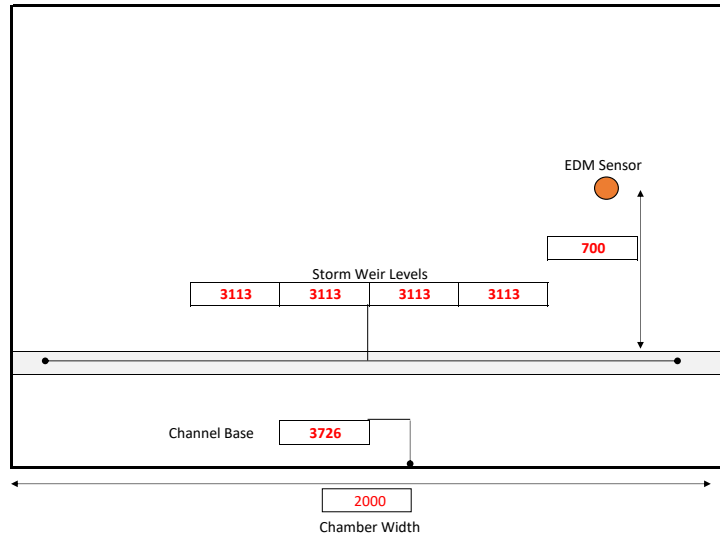
EDM Location



Weir



Site Name	Llanerch-Y-Môr Fun Ship CSO		EDM Level Meter	Vega Vegamet 861 with C 22	Location	Storm Overflow
Event Duration Monitor	Date	06 August 2025				
Total Uncertainty	2.8 mm					



Depth Readings	
1034	1034
1034	1034
1034	1034
1034	1034
1034	1034
VAR +1	1.00

Measured Temp.	0 °C
Instrument Temp.	0 °C
Error	0.0 mm
Datum Level	1034 mm
Instrument Level	1034 mm
Error	0 mm
Sensor height above spill	1187 mm
Accuracy	0.09 %
Error	1.08 mm
Estimate of wave height	5 mm
Repeatability#1	0.4 mm
Total Uncertainty	2.8 mm

Sensor Height	1800 mm
Base Level	3726 mm (Staff Reading)
Lowest Weir Level	3113 mm (Staff Reading)
Spill Height	613 mm

Analogue Output	0 mm - 4mA
	1810 mm - 20mA
Storm Event Activated	614 mm - 9.43 mA
Event De-Activated	609 mm - 9.38 mA

Bracket Level	1892	Staff Reading
Bobbin	Red	(800 mm)
Datum Ref. Ht.	1034	mm

Compliance Check	
Uncertainty < ±5mm	OK
Logging Intervals <2min	OK
Sensor distance to weir	Too Close
Sensor securely mounted	OK
Sensor Height	OK
Sunshade Required	No
Sunshade Installed	No

Notes: #1 Repeatability uses IS4359 14.5.1
Total Uncertainty uses Error items in 'bold'

All dimensions in mm, unless stated otherwise.