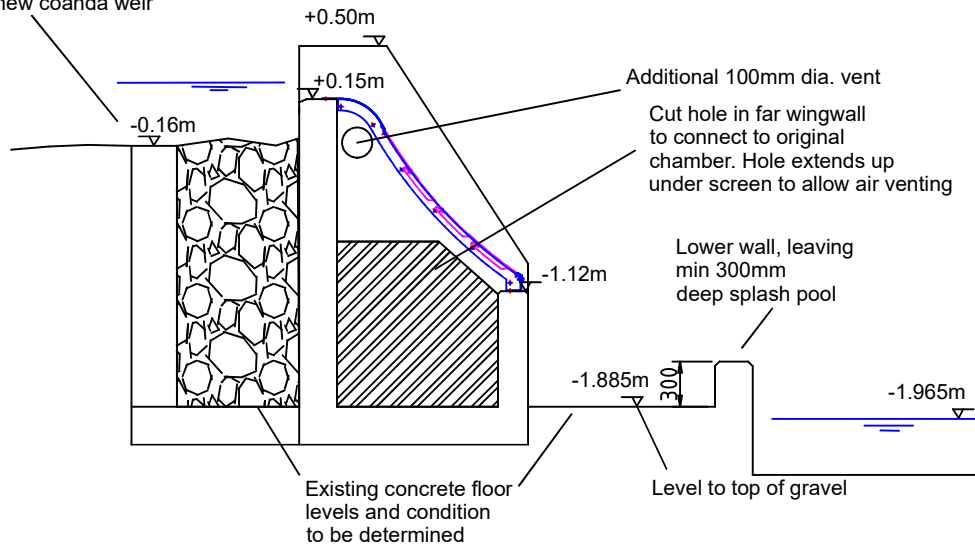
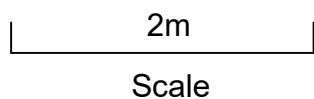


Section A-A Through Existing Fish Pass Pools

Lower original weir crest by 450mm over ~3.7m width to deepen approach to new coanda weir



Section B-B Modifications for Coanda Installation



Project: Abergwynant Hydro Refurbishment
 Drawing No: AH06
 Title: Sections Through Existing Fish Pass and New Coanda Screens, A-A & B-B
 Revision: B
 Date: 12/02/26
 Drawn by: JH