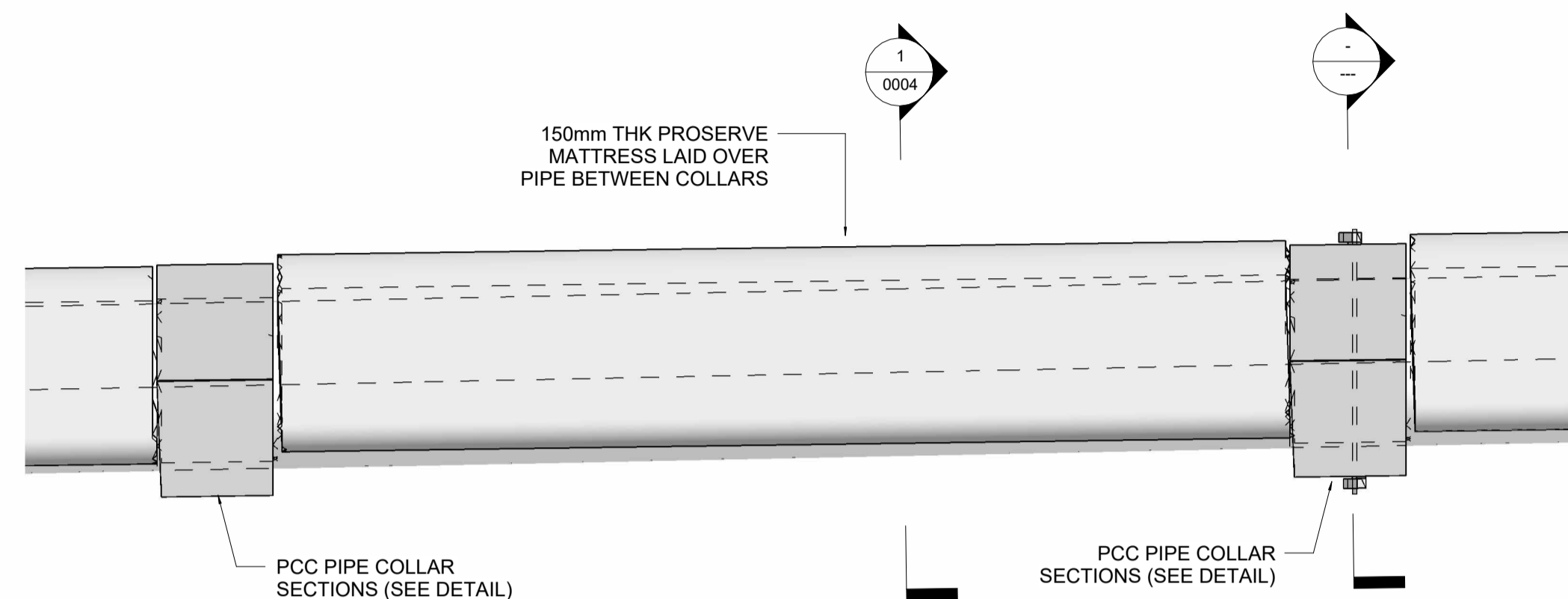


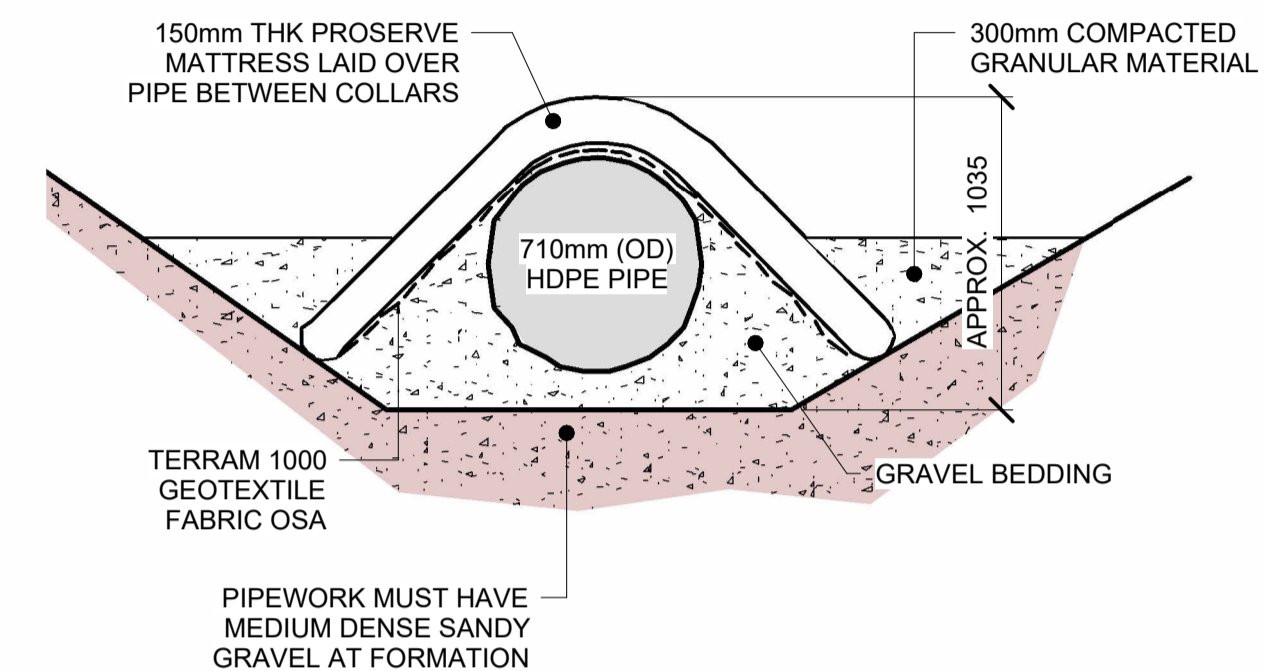
Pipework Key Plan

Scale 1 : 200



Elevation On Typical Pipe Mattress

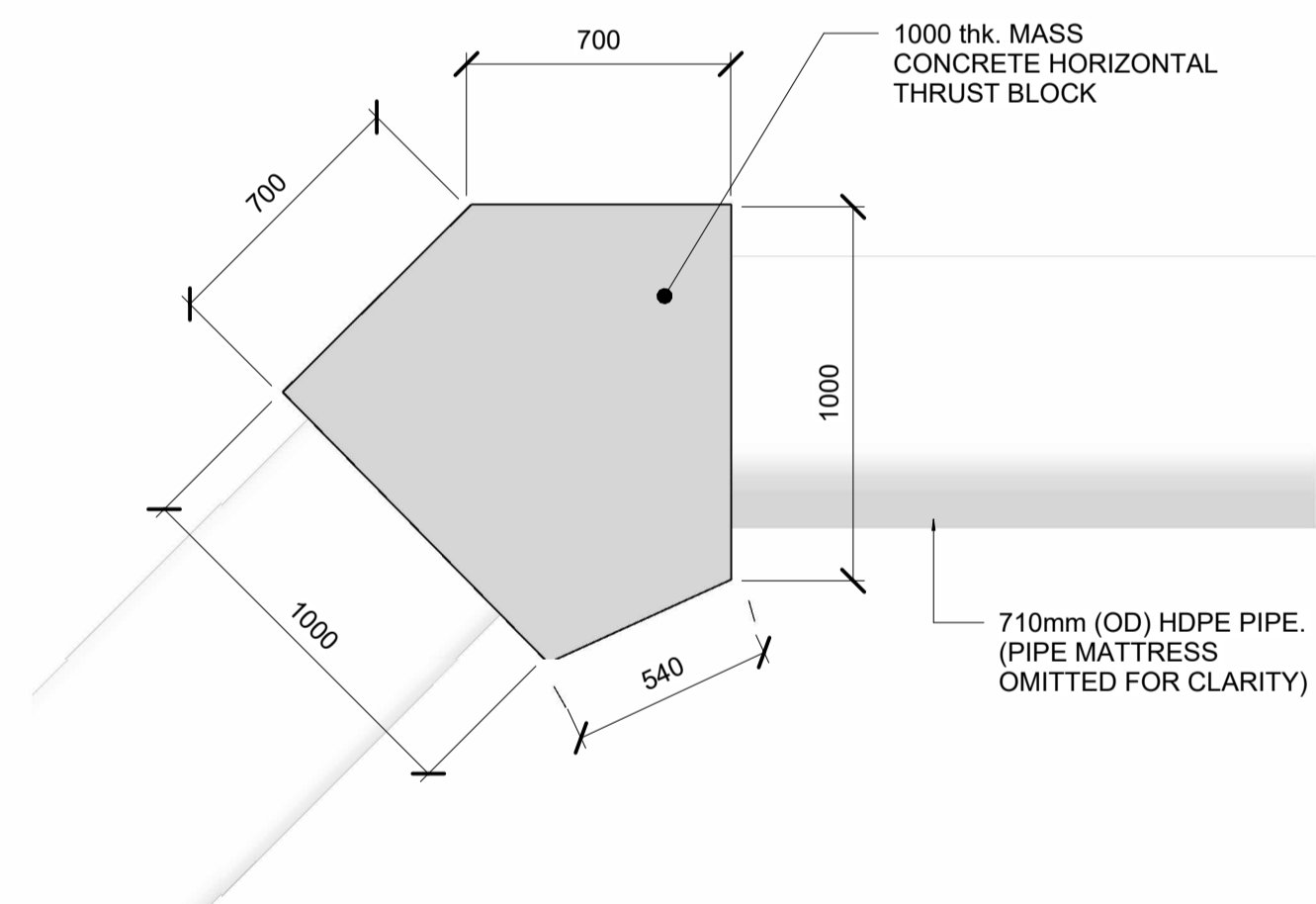
Scale 1 : 25



Section 1

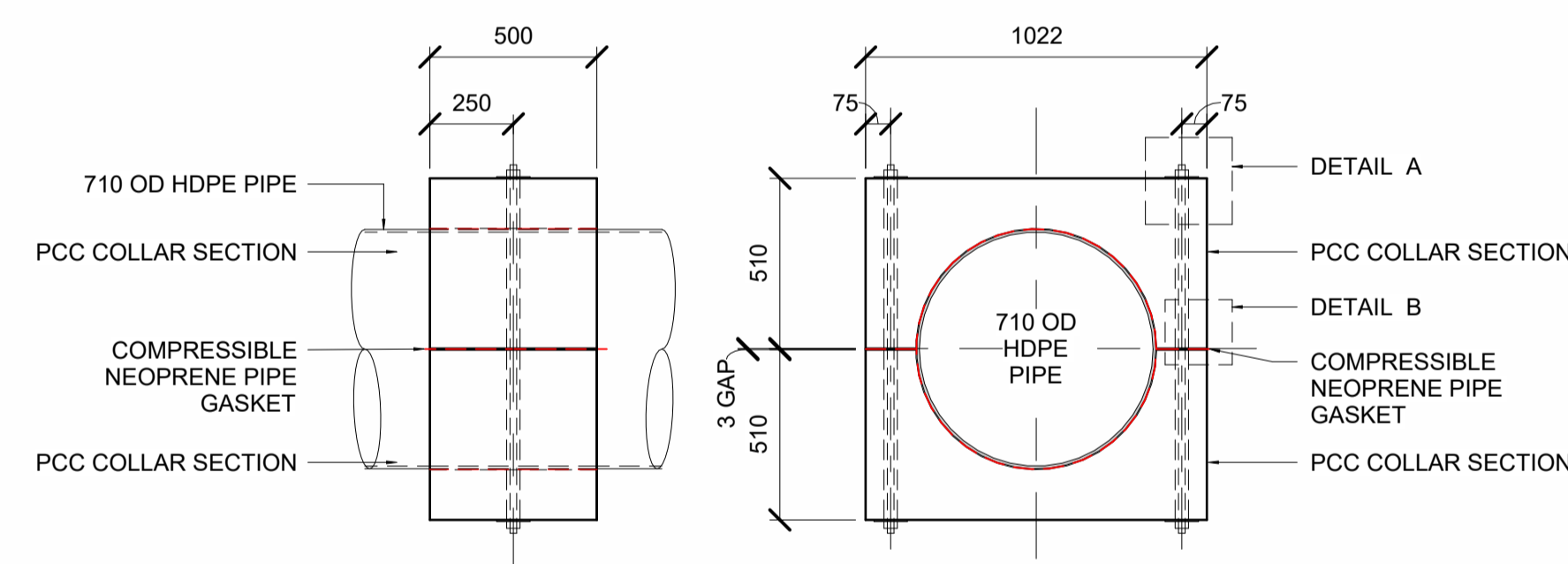
Scale 1 : 25

Typical For All Proserve Mattress Positions



Plan On 45 Horizontal Thrust Block

Scale 1 : 20



Elevation On PCC Collar Sections

Scale 1 : 20



Detail A

Detail B

Details A + B

Scale 1 : 10

**PROSERVE MICROCONCRETE**

CONCRETE MIX TO BE DESIGNED BY PROSERVE

- 10mm MICROCONCRETE
- CEMENT CONTENT 520 kg/m<sup>3</sup>
- WATER CONTENT = 0.54
- SAND + AGGREGATE = 1540 kg/m<sup>3</sup>
- WATER = 280 kg/m<sup>3</sup>
- TO ACHIEVE MINIMUM 55 N/mm<sup>2</sup> AFTER 28 DAYS
- STANDARD MIX B65/B214
- SIKA UCS ADDITIVE

NOTE: THE LIMITS, INCLUDING THE HEIGHT AND DEPTHS OF THE WORKS, SHOWN IN THIS DRAWING ARE NOT TO BE TAKEN AS LIMITING THE OBLIGATIONS OF THE CONTRACTOR UNDER CONTRACT

**GENERAL NOTES:**

1. ALL DIMENSIONS ARE GIVEN IN MILLIMETRES UNLESS NOTED OTHERWISE.
2. ALL LEVELS IN METRES.
3. THE CONTRACTOR SHALL SITE CHECK ALL RELEVANT DIMENSIONS & WILL BE RESPONSIBLE FOR THE ACCURACY OF ALL WORK & THE CORRECT SETTING OUT ON SITE.
4. CONTRACTOR IS TO BE RESPONSIBLE FOR STRUCTURAL STABILITY DURING THE CONSTRUCTION PHASE.
5. ALL PIPEWORK TO BE PE100 SDR26 710mm OD HDPE PIPEWORK.
6. ALL STEELWORK TO BE GRADE S355
7. ALL BOLTS TO BE M20 GRADE 8.8 (UNO)
8. PIPE FLANGES TO BE S315 MARINE GRADE STAINLESS STEEL
9. ANY CONTACT BETWEEN GALVANISED AND STAINLESS STEEL TO BE ISOLATED WITH NYLON PLATES/WASHERS.
10. COMPACTED GRANULAR MATERIAL TO BE SUBJECT TO MARINE LICENSE APPROVAL.
11. ALL RESIN ANCHORS TO BE BE JCP VINYLESTER UNO.
12. ALL STRUCTURAL STEELWORK TO BE BLAST CLEANED AND HOT DIPPED GALVANISED TO 100 MICRON OF GALVANISING
13. PREPARATION OF SUB BASE AT FORMATION LEVEL TO BE COMPACTED TO 95% STANDARD PROCTOR DENSITY WITH 1 LAYER OF TENSAR TX130 FABRIC OSA
14. IF COMPACTION NOT POSSIBLE PROVIDE SELF COMPACTING MATERIAL SUCH AS QUARRIED 20mm CLEAN AGGREGATE.
15. DRAWING TO BE READ IN CONJUNCTION WITH DESIGNERS RISK ASSESSMENT (251201-PEB-01-ZZ-T-C-5001).

**CONCRETE NOTES:**

1. FOUNDATION CONCRETE TO BE C32/40 MAXIMUM AGGREGATE SIZE 20mm
2. CONCRETE COVER TO REINFORCEMENT TO BE GENERAL = 55mm FACES ROUGH CAST AGAINST EARTH = 75mm U.N.O
3. HOLES DRILLED FOR DOWEL BARS AND H.D. BOLTS/RODS TO BE FREE FROM DUST AND DEBRIS AS PER MANUFACTURERS INSTRUCTIONS.
4. MASS CONCRETE SPECIFICATION (EXCEPT PROSERVE MICROCONCRETE)
  - A. TO BE C35/45
  - B. IIA-D CEMENT ≥ 46% GGBFS
  - C. MAX WATER CONTENT > 0.45
  - D. MIN CEMENT CONTENT > 380 kg/m<sup>3</sup>
  - E. FREEZE THAW RESISTING AGGREGATES
  - F. XSM4/XS3
  - G. MINIMUM SLUMP S4 OR F5.
5. ALL FORMED SURFACES SHALL HAVE A PLAIN SMOOTH FLOAT FINISH. ALL UNFORMED SURFACES TO HAVE A SMOOTH FLOAT FINISH.
6. ALL REINFORCEMENT SHALL BE GRADE B500C Fy = 500 MPa CONFORMING TO BS 4449.
7. NO WATER TO BE ADDED TO CONCRETE MIX ON SITE WITHOUT AGREEMENT FROM THE DESIGNER.
8. CONCRETE TO BE NOT LESS THAN 5°C AT THE TIME OF DELIVERY, WITH AMBIENT TEMPERATURE 3°C AND RISING. MAXIMUM INTERNAL TEMPERATURE OF CONCRETE TO BE LIMITED TO 65°C.
9. TESTING OF CONCRETE TO BE IN ACCORDANCE WITH BS EN 206 + BS EN 12350 17. AGGREGATE TO BE LIMESTONE.

P2	JCN	AGD	DJO	25.02.26	FOR APPROVAL
P1	DRJL	AGD	DJO	23.02.26	FOR COMMENT
REV.	DRAWN	CHKD	RVWD	DATE	DESCRIPTION

DESIGNED BY: AGD DATE:



CLIENT DRAWING No. REVISION



PROJECT  
Ferryside Outfall

DRAWING TITLE  
Pipeline And Pipework Protection Details

DRAWING SCALE: As Stated SHEET SIZE: A1

DRAWING No. 251201-PEB-01-ZZ-D-C - 0004 REVISION P2