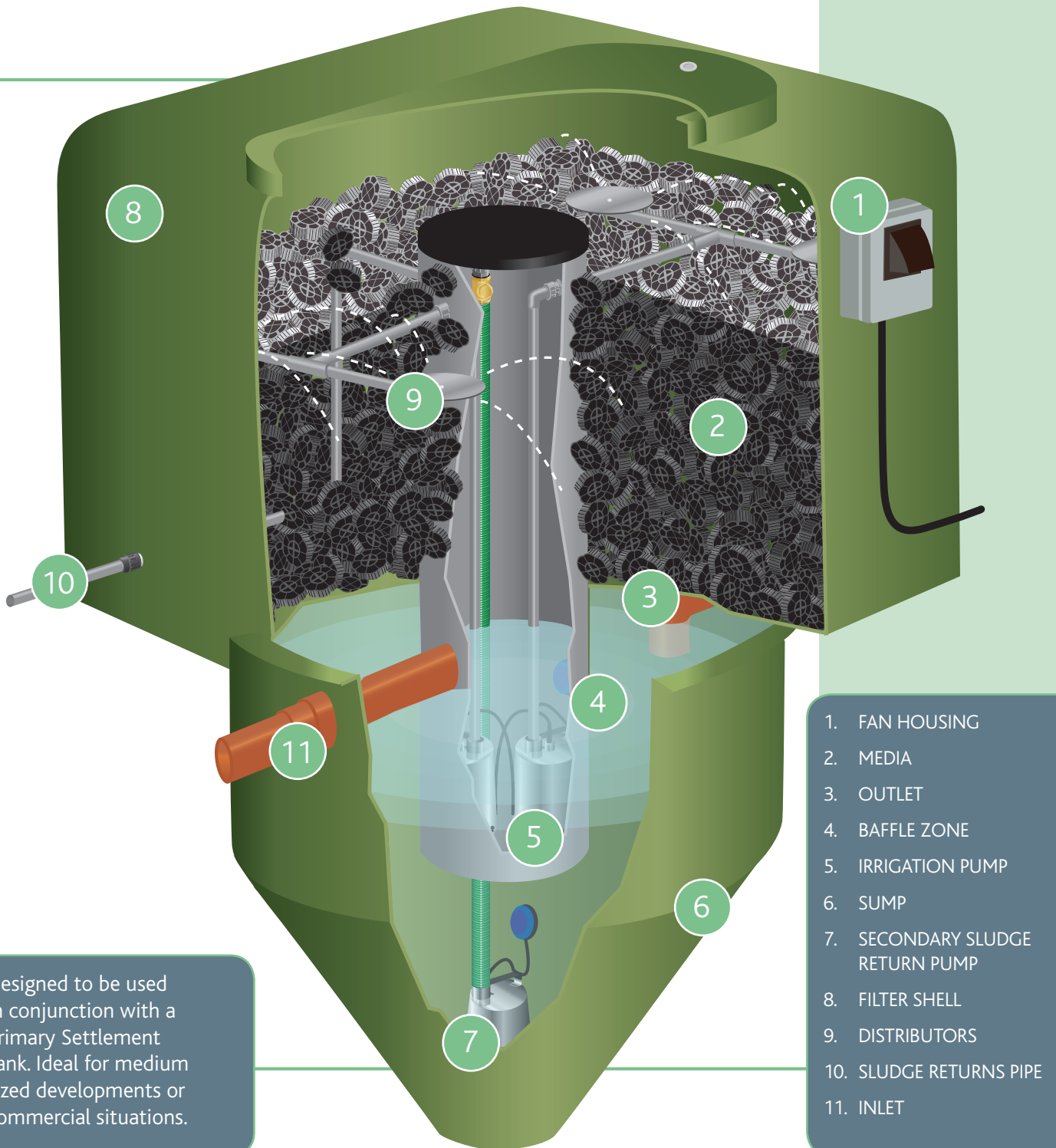


MAXI BIOFILTER



WELTON
ENVIRONMENTAL



Designed to be used in conjunction with a Primary Settlement Tank. Ideal for medium sized developments or commercial situations.

1. FAN HOUSING
2. MEDIA
3. OUTLET
4. BAFFLE ZONE
5. IRRIGATION PUMP
6. SUMP
7. SECONDARY SLUDGE RETURN PUMP
8. FILTER SHELL
9. DISTRIBUTORS
10. SLUDGE RETURNS PIPE
11. INLET

FOR FURTHER INFORMATION CONTACT
sales@weltonenvironmental.co.uk | www.weltonenvironmental.co.uk



MAXI BIOFILTER



HOW IT WORKS

Settled sewage flows by gravity from the Primary Settlement Tank into the baffle zone (4), where the irrigation pumps (5) are used to spray the effluent over the media (2) via the distribution system (9). The effluent is recycled many times through the media to achieve the necessary standard.

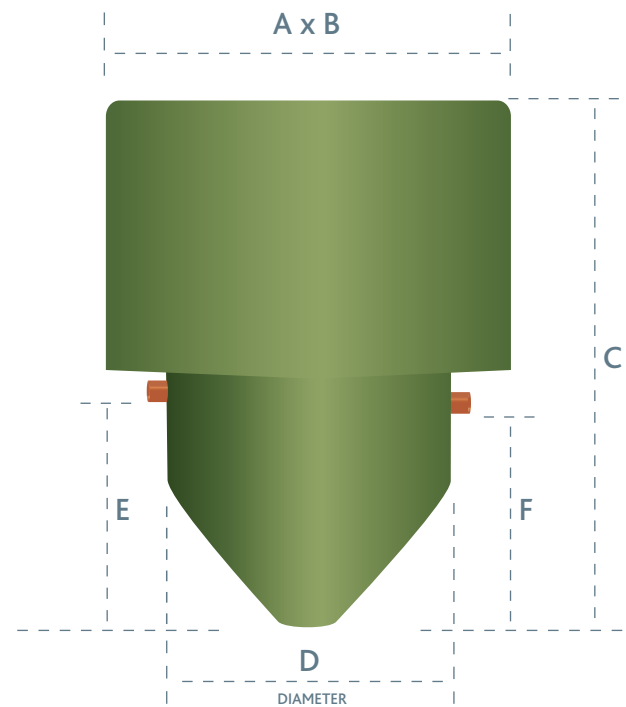
Eventually, the effluent is allowed to settle in the final settlement zone from where it is discharged at a standard to satisfy the Environment Agency.

The Secondary Sludge Return Pump (7) periodically removes any settled sludge and returns it back to the Primary Settlement Tank, where it is stored until removed by tanker.

FEATURES & BENEFITS

- ✓ Produces high quality effluent 20mg/l BOD and 30mg/l SS.
- ✓ High quality manufacture in accordance with our BS EN ISO 9001:2000 quality management system.
- ✓ Optional sample chamber or final effluent pump station, if required.
- ✓ Awarded a British Board of Agrément Certification.
- ✓ Low maintenance costs, servicing twice a year, desludging every four months.
- ✓ Discharge to watercourse or soakaway subject to consent from the relevant authorities.
- ✓ Simple to install, to ground level if required.
- ✓ Commissioning, servicing and maintenance service available. Installation also available.

DIMENSIONS (MM)



UNIT	H2S	H2	J2	K2	L1.5	L3	M3	N3
P/E	41	54	65	80	115	135	160	180
(A) WIDTH	2200	2200	2200	2200	3200	3200	3200	3200
(B) WIDTH	2200	2700	3200	3700	3200	3200	3700	4200
(C) HEIGHT	4200	4200	4200	4200	4800	4800	4800	4800
(D) DIAMETER	2200	2200	2200	2200	3000	3000	3000	3000
(E) INLET	1950	1950	1950	1950	2050	2050	2050	2050
(F) OUTLET	1900	1900	1900	1900	2000	2000	2000	2000

Welton Environmental reserves the right to alter the specifications and dimensions without notice.

FOR FURTHER INFORMATION
CALL: 07715 454337

EMAIL: SALES@WELTONENVIRONMENTAL.CO.UK

2 YEAR WARRANTY ON
ALL WORKING PARTS