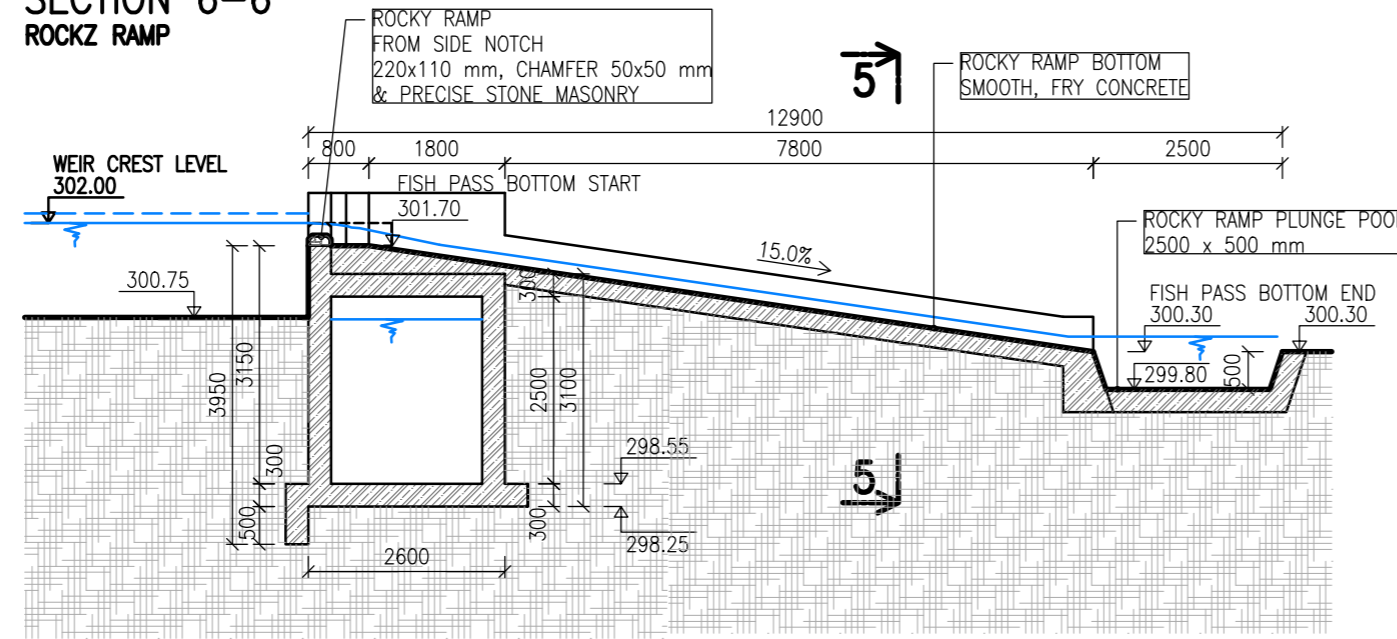
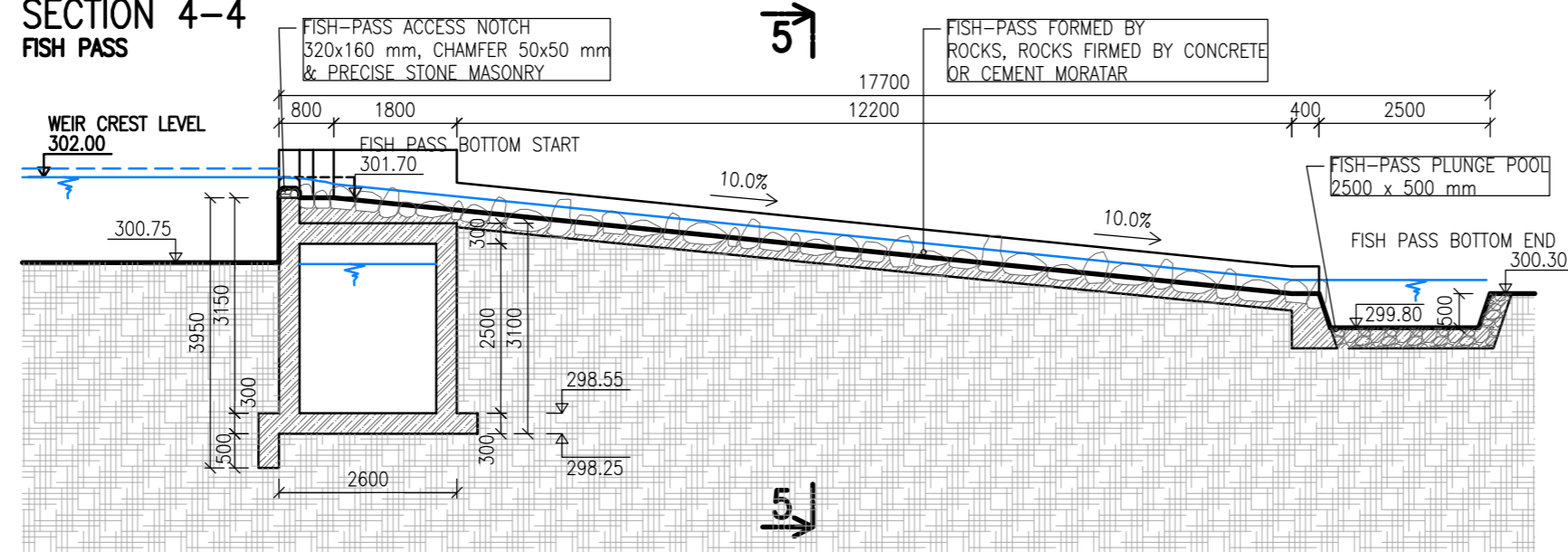


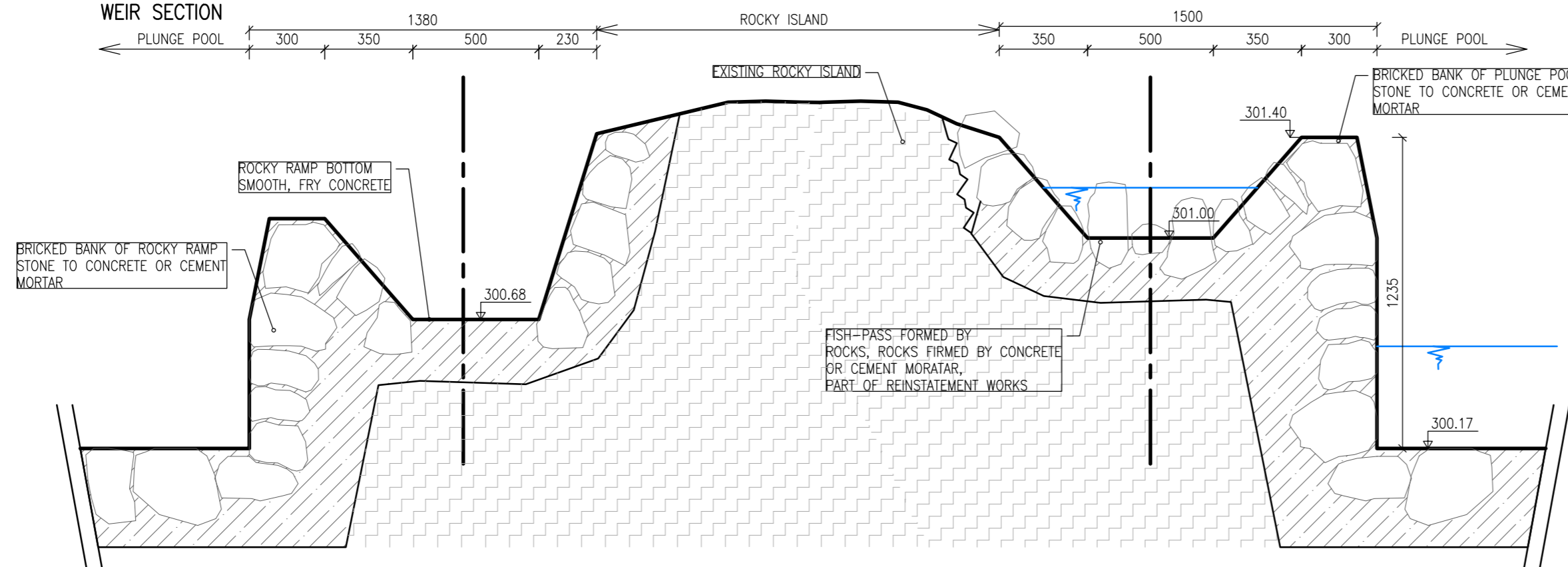
**SECTION 6-6  
ROCKZ RAMP**



**SECTION 4-4  
FISH PASS**



**SECTION 5-5  
WEIR SECTION**



**KEY:**

**MECHANICAL EQUIPMENT**

- 1.1 PRIMING PUMP
- 1.2 PRIMING PIPE PIPING
- 1.3 MAIN INLET VALVE
- 1.4 HYDRAULIC AGGREGATE
- 1.5 INTAKE STOP LOG GATE 3000 x 2000 mm
- 1.6 FLUSHING GATE
- 1.7 COANDA SCREEN 2 mm SCREEN APERTURE
- 1.8.1 NOTCH FOR ROCKY RAMP, MINOR NOTCH
- 1.8.2 NOTCH FOR FISH PASS, MAIN NOTCH

**CIVIL EQUIPMENT**

- 2.1 MANHOLE COVER 800 x 800 mm
- 2.2 MANHOLE COVER 1500 x 1500 mm
- 2.3 FLUSHING GATE 600 x 600 mm
- 2.4 REMOVABLE AUXILIARY SHAFT COVER WITH MANHOLE ACCESS
- 2.5 ACTIVE VENTILATION

**LEGED:**

- REINFORCED CONCRETE
- STONE RIP-RAP
- EXISTING GROUND
- BACKFILL MATERIAL
- CIVIL STRUCTURE
- MECHANICAL EQUIPMENT
- CIVIL EQUIPMENT
- WATER LEVEL
- EXISTING TERRAIN

REVISION	MODIFICATION DESCRIPTION
A	MAINTENANCE STEP, ROCKY RAMPS FOR FISH PASSAGE
B	FISH PASS CONSTRUCTION
C	FISH PASS & ROCKY RAMP CORRECTION

DRAWN BY	T. GOMBOŠ	PROJECT MANAGER	
CHECKED BY	M. ŠTRONER	SITE	CLAERWEN
APPROVED BY	M. ŠTRONER	COUNTRY	UK, WALES
CLIENT	...	ALTITUDE SYSTEM	
PROJECT	SHPP CLAERWEN		
PART	CONCEPTUAL DESIGN - DRAFT		
DRAWING NAME	INTAKE - FISH PASS		
DATE	07/2018	SHEETS	8x44
SCALE	1:100, 1:20	ARCHIVE No.	2140016C



HYDROPOL Project & Management s.r.o.  
Všeňrdova 560/2, 118 00 PRAHA  
CZECH REPUBLIC  
www.hydropol.cz