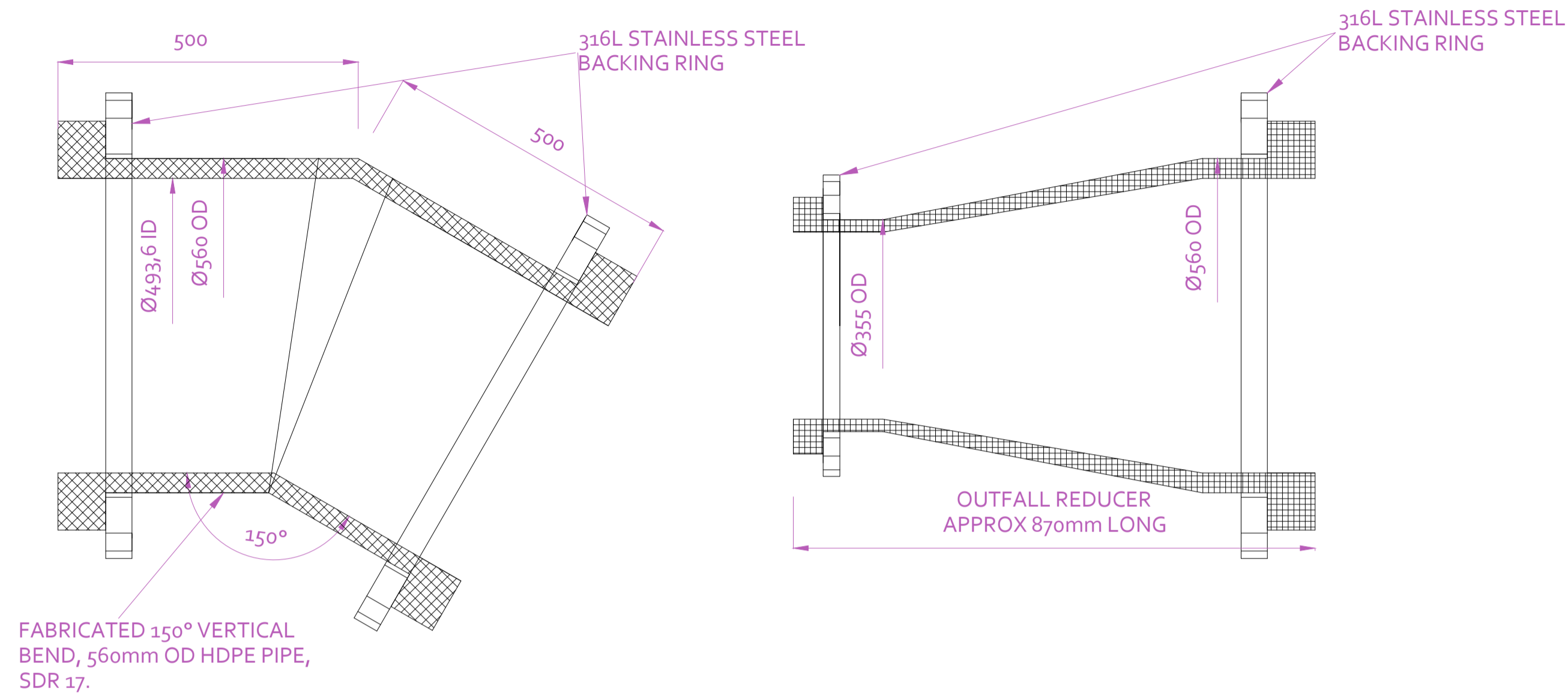


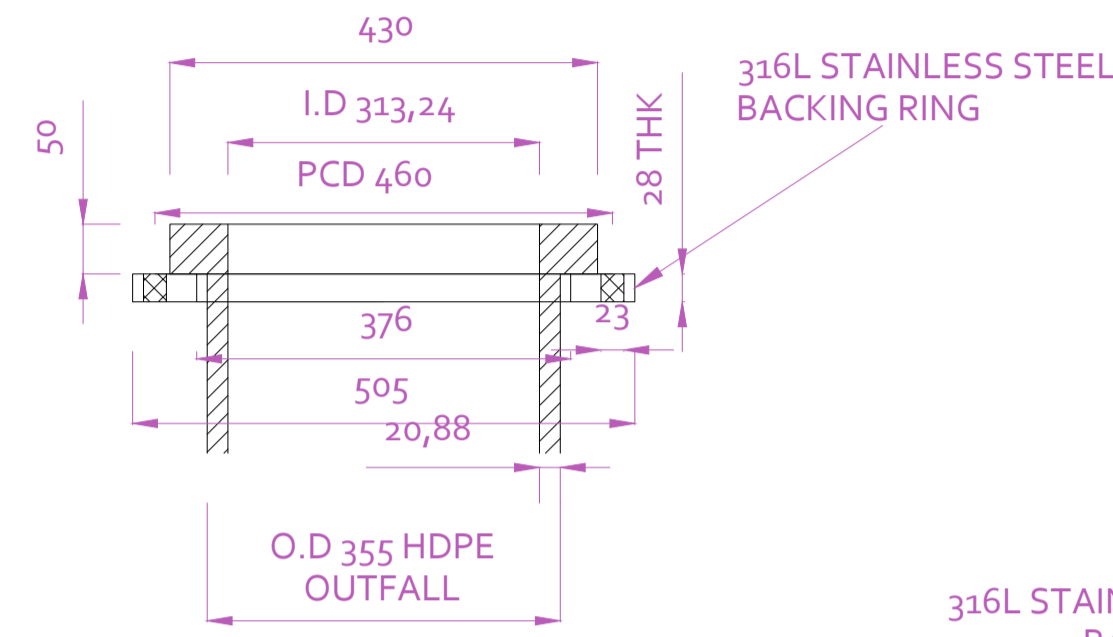
NOTES:
ALL DIMENSIONS ARE IN mm. ALL LEVELS ARE IN mAOD UNLESS NOTED OTHERWISE.

PIPE MATERIALS TO BE PE100, SDR 17 (FOR BOTH THE 560MM Ø OD & 355 Ø OD.

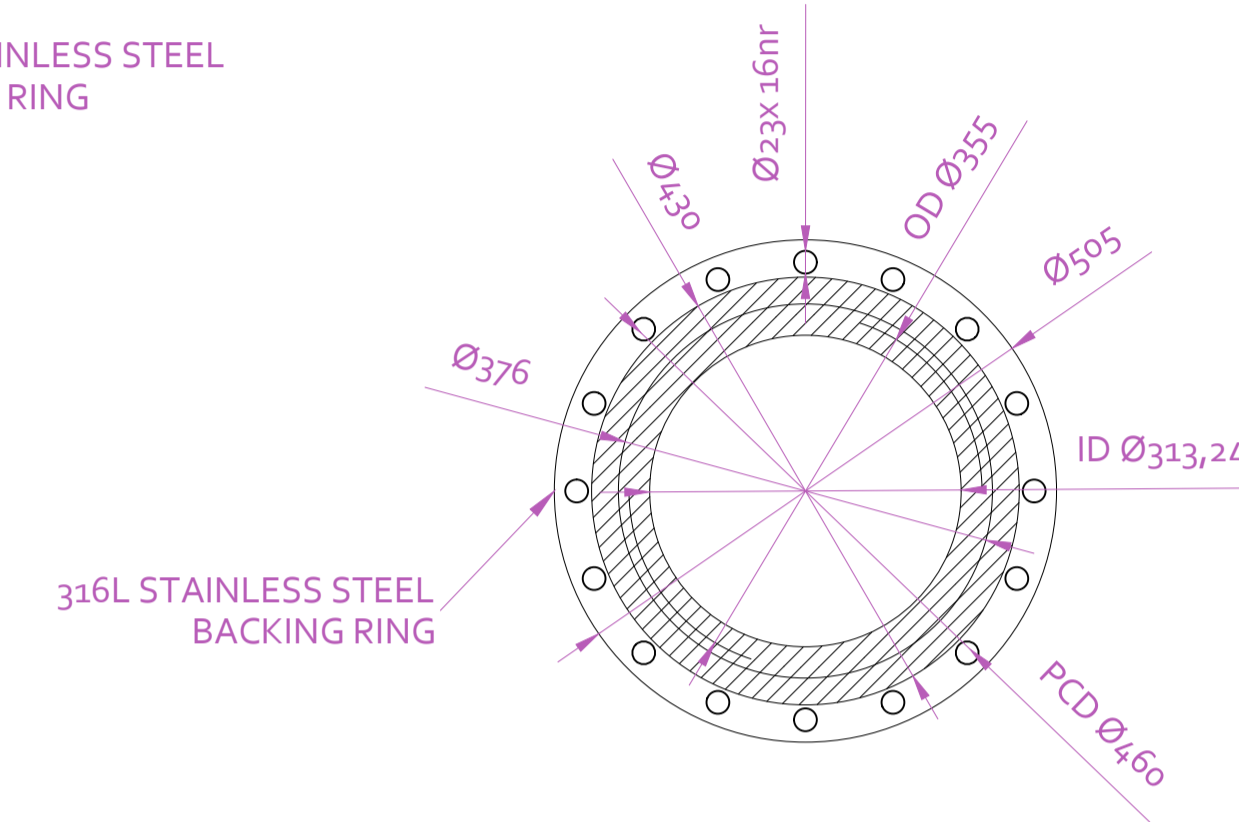


ITEM 1 - 2 NO. REQUIRED
PROPOSED VERTICAL BEND
DETAIL- 560mm OD HDPE
SIDE ELEVATION

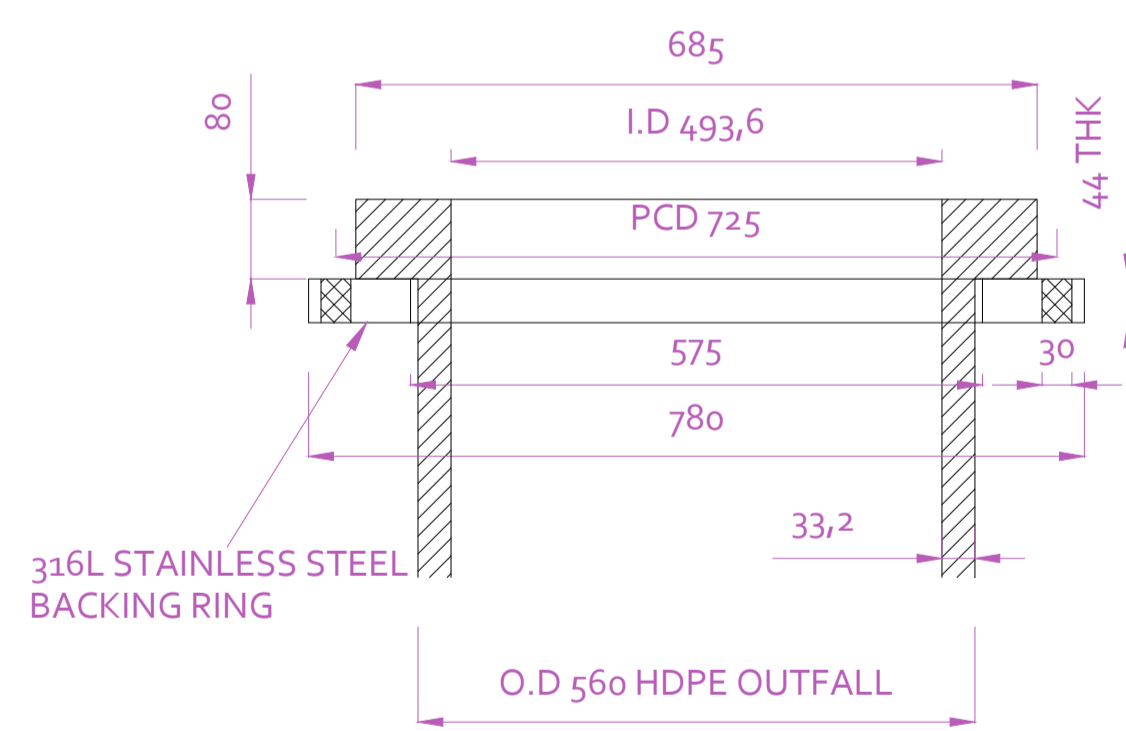
ITEM 2 - 2 NO. REQUIRED
PROPOSED 560mm OD HDPE TO 355mm OD
HDPE REDUCER
PLAN VIEW



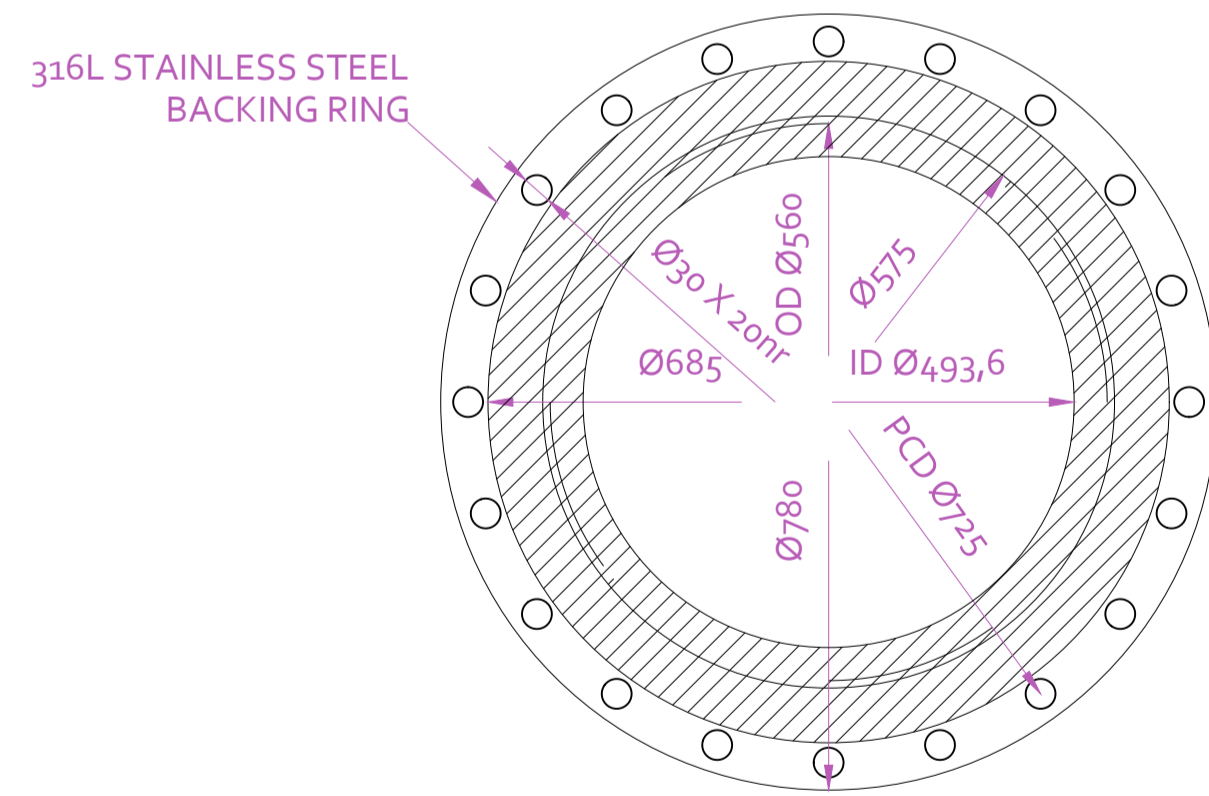
TYPICAL OUTFALL STUB END
DETAIL-
355mm OD HDPE
PLAN VIEW



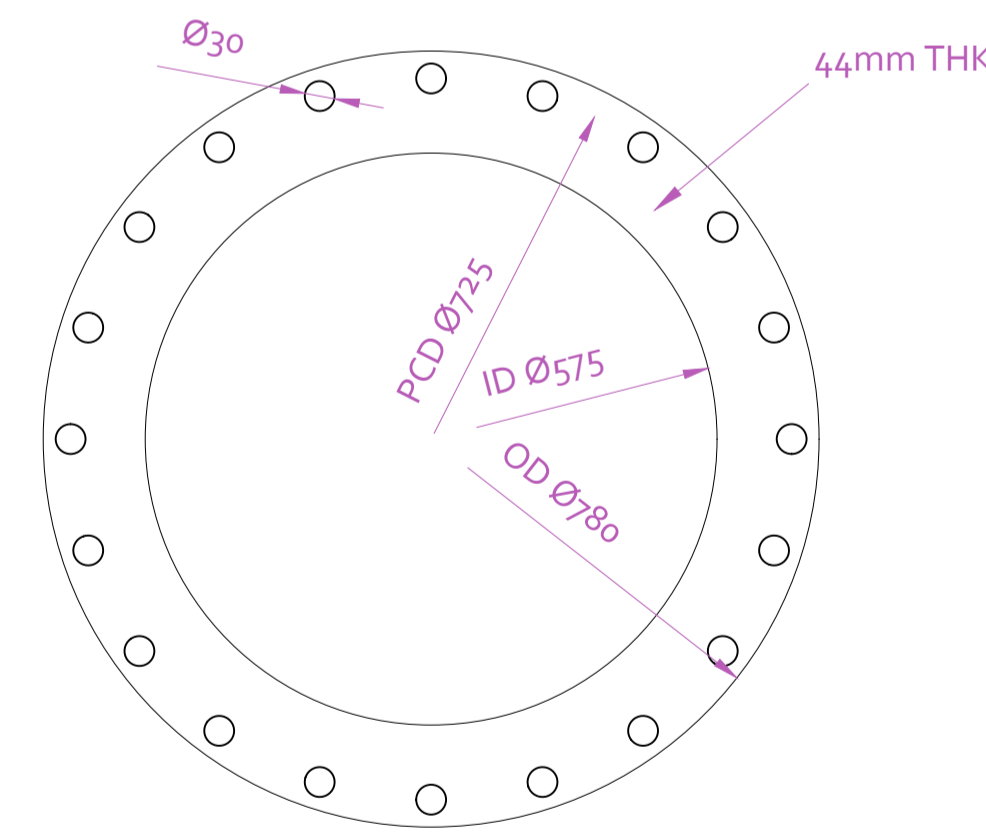
OUTFALL STUB END DETAIL-355mm OD HDPE
FRONT ELEVATION



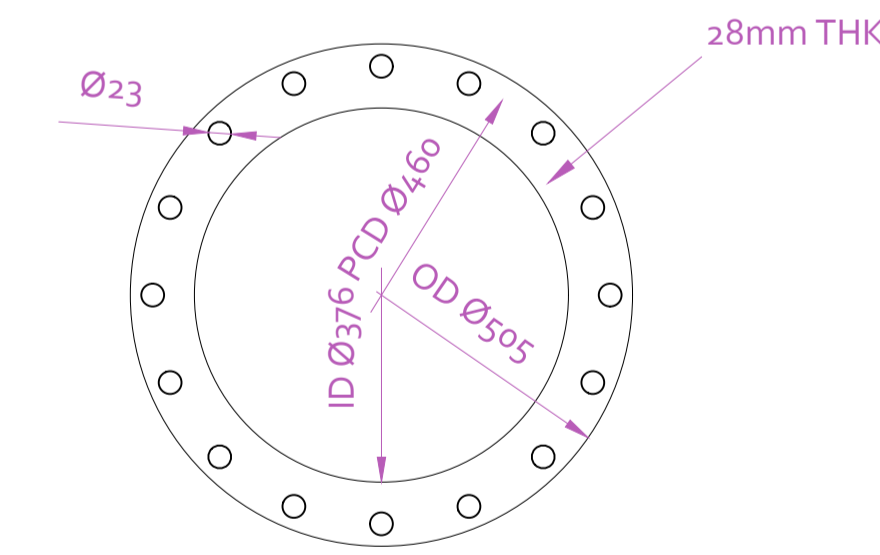
OUTFALL STUB END DETAIL-
560mm OD HDPE
PLAN VIEW



OUTFALL STUB END DETAIL-
560mm OD HDPE
FRONT ELEVATION



316L STAINLESS STEEL BACKING RING DETAIL- 560mm OD HDPE
PLAN VIEW



316L STAINLESS STEEL BACKING RING DETAIL- 355mm OD HDPE
FRONT ELEVATION

Rev	Date	By	Rev Description
-----	------	----	-----------------

Drawing Status:
Outline Design Detail

Client:
EASTMAN

Project Reference:
EASTMAN; NEWPORT OUTFALL

Drawing Title:
PHASE 1 - FABRICATED BENDS AND SPECIALS
DRAWING 1 OF 2

Drawing Reference:
1001-07 - P1 BENDS AND SPECIALS 1 OF 2

Issue Date:
23/03/22

Scale:
DO NOT SCALE



Head Office & Accounts
Osprey Business Park
Byng Street, Landore,
Swansea, SA1 2NR
Tel: (01792) 301818
Fax: (01792) 645698

Bristol Office
St. Andrews House
St. Andrews Road
Avonmouth
Bristol BS11 9DQ
Tel: (01179) 382603

Email: enquiries@kaymac Ltd.co.uk
Website: www.kaymacmarine.co.uk